



**RV Products Division**

## **REPAIR PARTS LIST FOR 482X8B8XX SERIES**

**(48208B876, 48208B879, 48268B876, 48268B879)**

---

### **WARRANTY INFORMATION**

#### **PARTS RETURN**

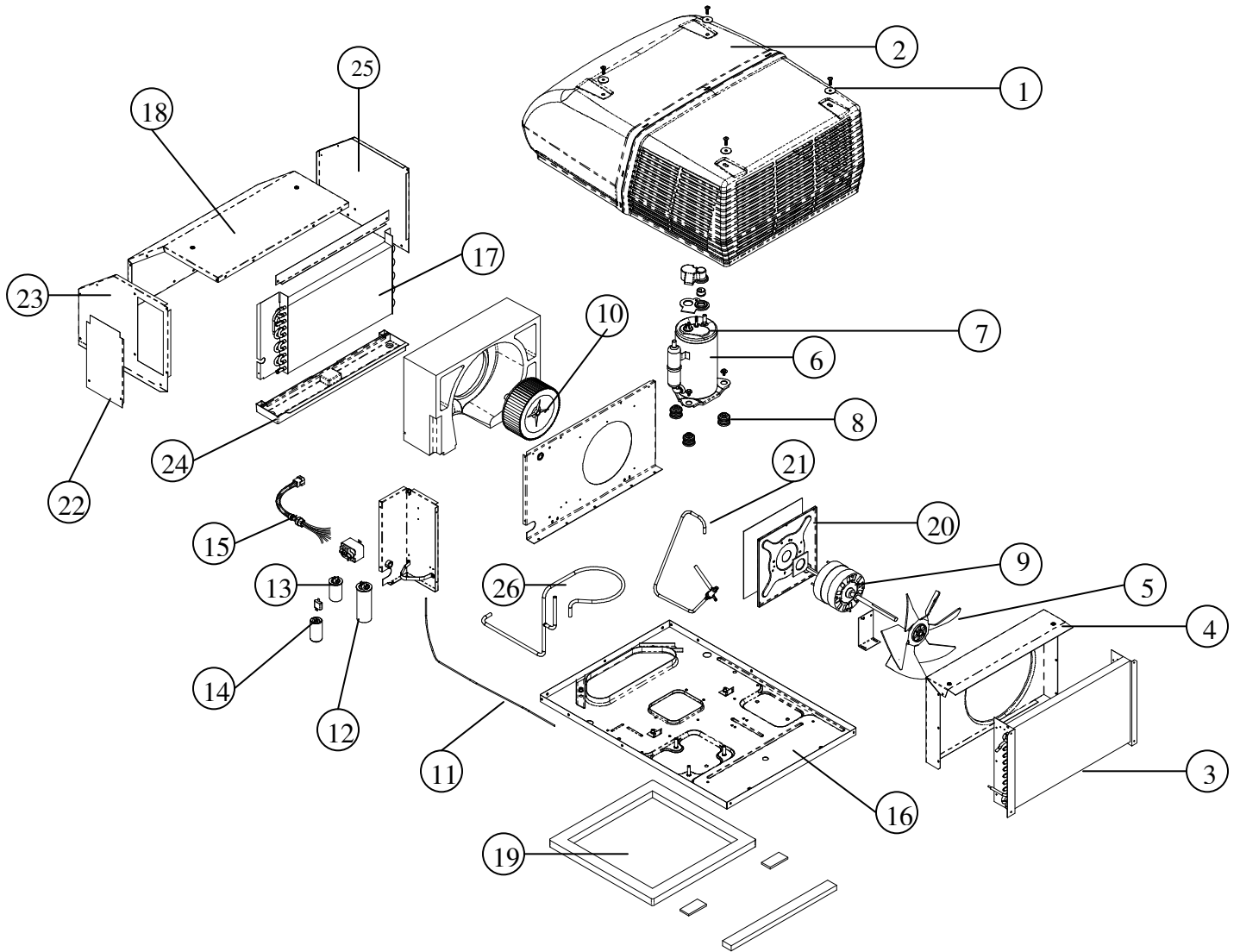
“Air Conditioning” in-warranty parts subject to return to Airxcel, Inc. must be sent prepaid to the following address. Always include your company’s claim or work order along with the Airxcel, Inc. invoice generated from the shipment of the replacement part.

Airxcel, Inc.  
RV Products Division  
Attn: Warranty Return  
3050 N. St. Francis  
Wichita, KS 67219

#### **WRITTEN CORRESPONDENCE**

All written correspondence (no parts) should be sent to the following address:

Airxcel, Inc.  
RV Products Division  
Dept. 546  
P.O. Box 4020  
Wichita, KS 67204



# 482X8B8XX SERIES



RV Products Division

CODE	USED ON MODELS	PART NUMBER	DESCRIPTION	NO. REQ.
1.	All	6792-5111	Screw Nut & Washer (4 Pkg.)	1
2.	876	8335A5261	Shroud (Arctic White/Arctic White)	1
	879	8335A5291	Shroud (Black/Black)	1
3.	All	1452-1861	Condenser Coil	1
4.	All	6792-1071	Fan Shroud	1
5.	All	6733-3221	Fan Blade (6 Blade, 11 Dia., 40 Degree Pitch, .50 Dia. Bore)	1
6.	All	1450-4019	Compressor (Tecumseh)	1
7.	All	1450-0221	Overload	1
8.	All	6759-3081	Compressor Mounting Pkg. (3/Pkg.)	1
9.	All	1468-3109	Motor (115V, 60 HZ)	1
10.	All	1472-1091	Impellor	1
11.	All	48207-135	Cap Tube (Formed)	1
12.	All	1499-5681	Run Capacitor (35 Mfd/370V)	1
13.	All	1499-5461	Fan Capacitor (7.5 Mfd/370V)	1
14.	All	8333A9021	Start Device Pkg. (includes start capacitor and PTCR device)	1
15.	All	48203-3751	Conduit & Wiring Assembly (6 wires)	1
16.	All	8333B1011	Basepan (with foam scroll)	1
17.	All	1452-1521	Evaporator Coil	1
18.	All	8333A5061	Evaporator Cover Assembly with Insulation	1
ns.	All	8335A3841	Filler Pad – Condenser Air Seal	1
19.	All	8332-3301	Gasket Pkg.	1
20.	All	8333-5151	Motor Mount & Shaft Seal Kit	1
21.	All	8632A133	Suction Line	1
22.	All	8333-109	Wirebox Door	1
23.	All	8333-505	Side Panel Right with Insulation	1
24.	All	8335A3501	Drain Pan	1
25.	All	8333-507	Side Panel Left with Insulation	1
26.	All	48207-131	Discharge Line	1
ns	All	8333B1551	Shroud Bracket	3
ns	All	1460-1541	High Pressure Switch	1

ns = not shown

## SPECIAL ORDER PARTS:

**NOTE: All parts with three digit suffix numbers are “Special Order” Parts. These parts are subject to factory availability and require extra time for delivery.**