



**RV Products Division**

**REPAIR PARTS LIST  
FOR  
490X3\*87X SERIES  
POLAR MACH HEAT PUMP  
13,500 BTU**

**(Includes 49003-876, 49003-879, 49023-876, 49023-879, 49033-876, 49003A876,  
49003A879, 49013A876, 49013A879, 49023A876, 49023A879, 49033A876)**

---

**WARRANTY INFORMATION**

**PARTS RETURN**

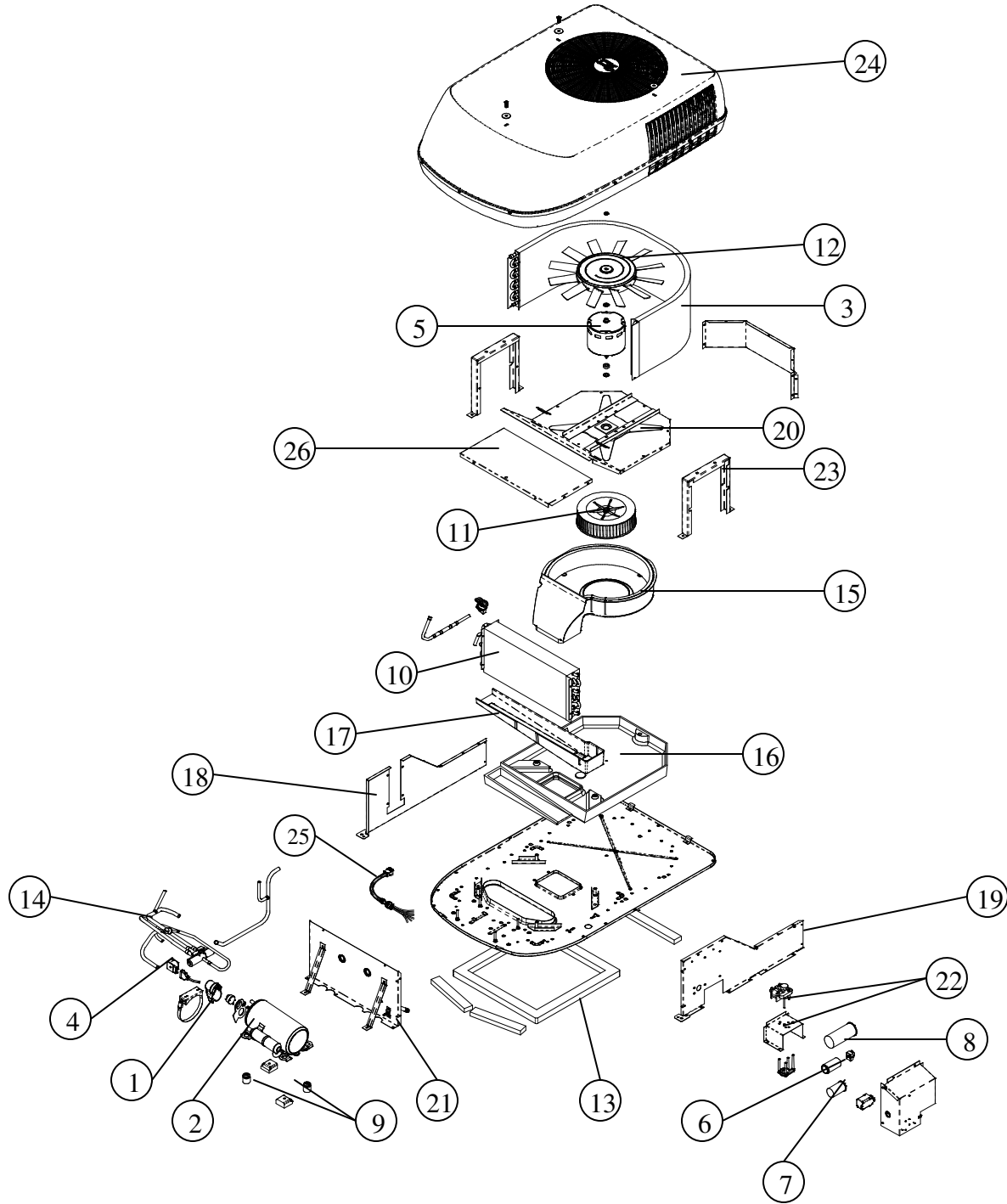
“Air Conditioning” in-warranty parts subject to return to Airxcel, Inc. must be sent prepaid to the following address. Always include your company’s claim or work order along with the Airxcel, Inc. invoice generated from the shipment of the replacement part.

Airxcel, Inc.  
RV Products Division  
Attn: Warranty Return  
3050 N. St. Francis  
Wichita, KS 67219

**WRITTEN CORRESPONDENCE**

All written correspondence (no parts) should be sent to the following address:

Airxcel, Inc.  
RV Products Division  
Dept. 546  
P.O. Box 4020  
Wichita, KS 67204



# 490X3\*87X SERIES



RV Products Division

CODE	USED ON MODELS	PART NUMBER	DESCRIPTION	NO. REQ.
1.	All	1450-0511	Overload	1
2.	All	1450-4059	Compressor (Tecumseh)	1
3.	All	1452-1281	Outdoor Coil	1
4.	All	1460-1181	Solenoid Coil	1
5.	All	1468B3239	Motor	1
6.	All	9333-9021	Start Device Pkg.	1
7.	All	1499-5461	Fan Capacitor (7.5 Mfd/370V)	1
8.	All	1499-5721	Run Capacitor (40 Mfd/370V)	1
9.	All	1450-9811	Compressor Mount Pkg.	1
10.	All	1452-1261	Indoor Coil	1
11.	All	1472A1181	Blower Wheel	1
12.	All	1472-5021	Fan Blade	1
13.	All	8332-3301	Gasket Pkg.	1
ns	All	9032A5061	Freeze Switch Assembly	1
14.	All	49033-530	Reversing Valve Assembly	1
15.	All	9233C316	Blower Scroll	1
16.	All	9233B325	Blower Tray	1
17.	All	9203-350	Drain Pan	1
18.	All	9233-602	Right Side Panel Assembly	1
19.	All	9233A603	Left Side Panel Assembly	1
20.	All	9233-604	Back Panel Assembly	1
21.	All	9233F607	Evaporator Cover – Front Panel	1
22.	49023/49033	49233-5091	Condensate Pump Assembly	1
23.	All	9233A506	Side Brace Assembly	1
24.	876	9203-5261	Shroud (Arctic White)	1
	879	9203-5291	Shroud (Black)	1
	49013/49033	9203-4261	Shroud (Arctic White – Solar Ready)	1
ns	All	1454A253	Bi-Flow Restrictor	1
25.	All	9032B375	Wiring Harness	1
26.	All	9233-622	Evaporator Cover – Top Panel	1
ns	“-”	1460-1541	High Pressure Switch	1
ns	“-”	1460-1271	Relay	1

ns = not shown

## SPECIAL ORDER PARTS:

**NOTE:** All parts with three digit suffix numbers are “Special Order” Parts. These parts are subject to factory availability and require extra time for delivery.

**NOTE:** “A” Models will be equipped with the Top-Down Mounting Kit. Heat Strip Assemblies CANNOT be used with the Top-Down Models.