



RV Products Division

REPAIR PARTS LIST FOR 480X4-87X SERIES

(48004-876, 48004-879, 48014-876, 48064-879)

WARRANTY INFORMATION

PARTS RETURN

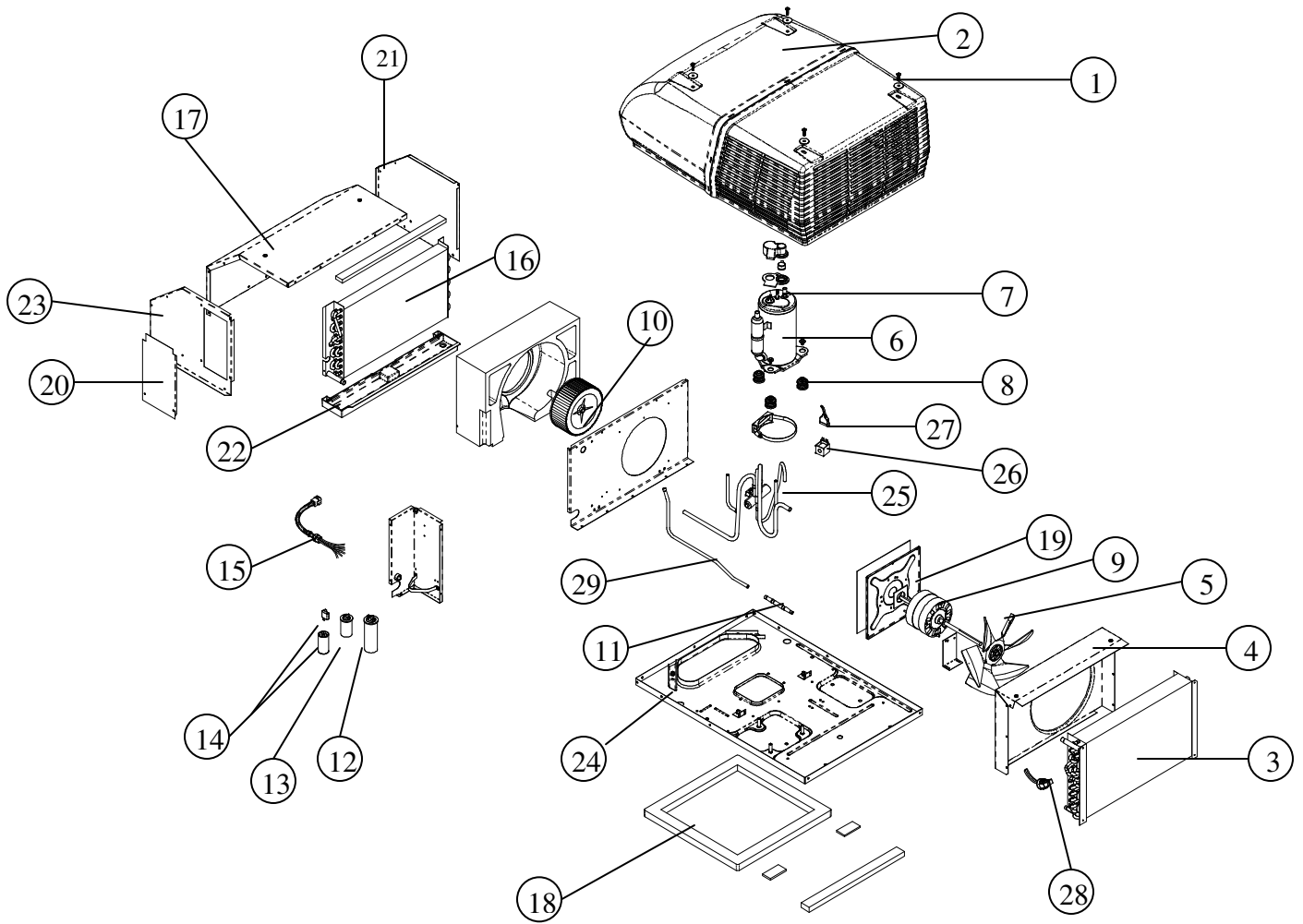
“Air Conditioning” in-warranty parts subject to return to Airxcel, Inc. must be sent prepaid to the following address. Always include your company’s claim or work order along with the Airxcel, Inc. invoice generated from the shipment of the replacement part.

Airxcel, Inc.
RV Products Division
Attn: Warranty Return
3050 N. St. Francis
Wichita, KS 67219

WRITTEN CORRESPONDENCE

All written correspondence (no parts) should be sent to the following address:

Airxcel, Inc.
RV Products Division
Dept. 546
P.O. Box 4020
Wichita, KS 67204



480X4-87X SERIES



RV Products Division

CODE	USED ON MODELS	PART NUMBER	DESCRIPTION	NO. REQ.
1.	All	6792-5111	Screw Nut & Washer (4 Pkg.)	1
2.	876	8335A5261	Shroud (Arctic White/Arctic White)	1
	879	8335A5291	Shroud (Black/Black)	1
3.	All	1452-1441	Condenser Coil	1
4.	All	6792-1071	Fan Shroud	1
5.	All	6733-3221	Fan Blade (6 Blade, 11 Dia., 40 Degree Pitch, .50 Dia. Bore)	1
6.	All	1450-4039	Compressor (Tecumseh)	1
7.	All	1450-0521	Overload	1
8.	All	6759-3081	Compressor Mounting Pkg. (3/Pkg.)	1
9.	All	1468-3069	Motor (115V, 60 HZ)	1
10.	All	1472-1091	Impellor	1
11.	All	1454-2521	By-Flow Restrictor	1
12.	All	1499-5721	Run Capacitor (40 Mfd/370V)	1
13.	All	1499-5461	Fan Capacitor (7.5 Mfd/370V)	1
14.	All	8333A9021	Start Device Pkg. (includes start capacitor and PTCR device)	1
15.	All	8535B375	Conduit & Wiring Assembly	1
16.	All	1452-1711	Evaporator Coil	1
17.	All	8333A5061	Evaporator Cover Assembly with Insulation	1
ns	All	8335A3841	Filler Pad – Condenser Air Seal	1
18.	All	8332-3301	Gasket Pkg.	1
19.	All	8333-5151	Motor Mount & Shaft Seal Kit	1
20.	All	8333-109	Wirebox Door	1
21.	All	8333-505	Side Panel Right with Insulation	1
22.	All	8335A3501	Drain Pan Assembly	1
23.	All	8333-507	Side Panel Left with Insulation	1
24.	All	8333B1011	Basepan	1
25.	All	48008-530	Reversing Valve Assembly	1
26.	All	1460-1181	Solenoid Coil	1
27.	All	1460A109	Solenoid Harness Assembly	1
28.	All	1460-2101	Freeze Switch	1
29.	All	8534-135	Liquid Line	1
ns	All	8333B1551	Shroud Bracket	3
ns	All	1460-1541	High Pressure Switch	1
ns	485XX4	8355-301	Actuator	1
ns	485XX4	8355-302	Actuator Assembly	1

ns = not shown

SPECIAL ORDER PARTS:

NOTE: All parts with three digit suffix numbers are “Special Order” Parts. These parts are subject to factory availability and require extra time for delivery.