



REPAIR PARTS LIST

FOR

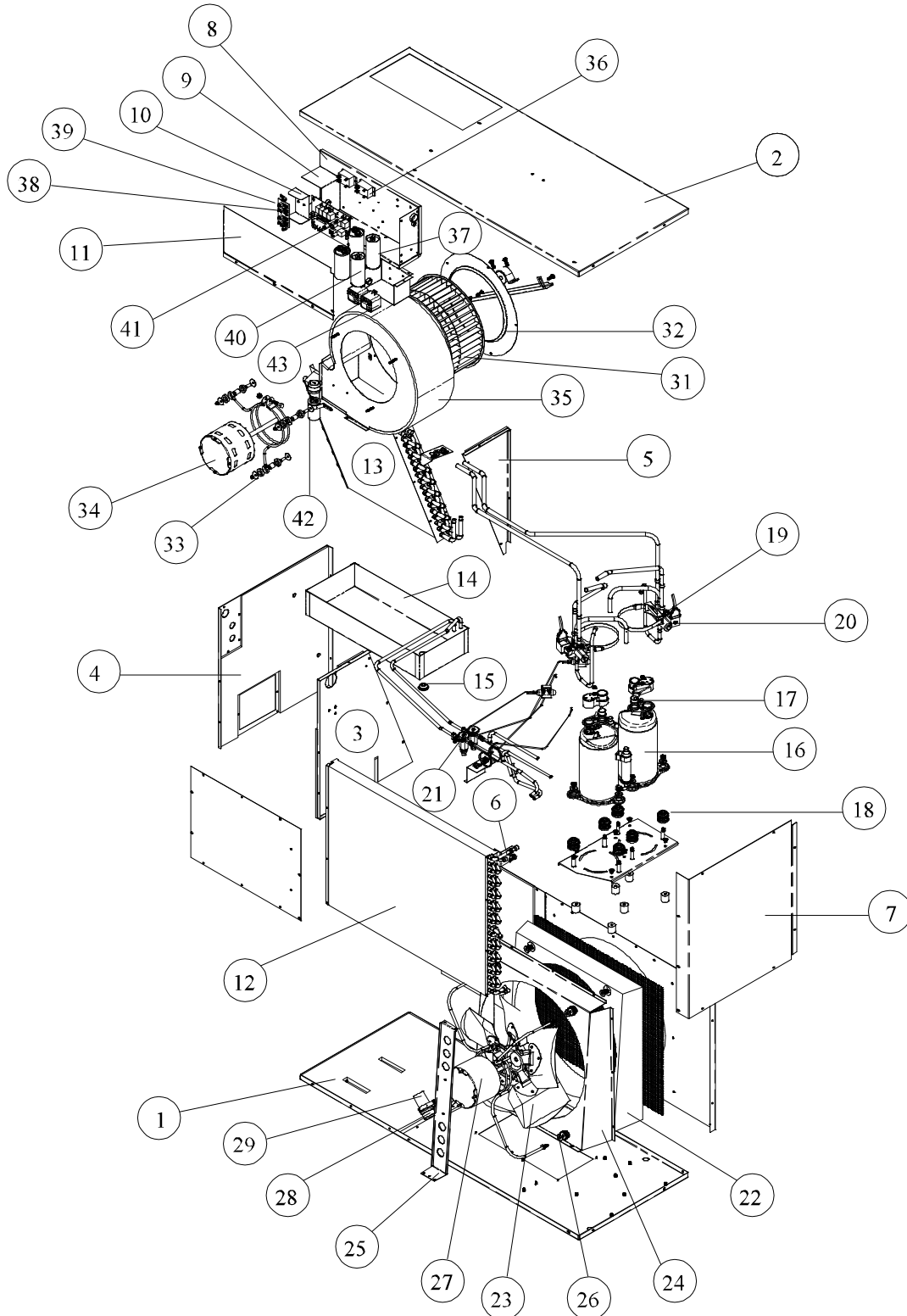
6538-751

SERIES HIGH EFFICIENCY

TWO TON PACKAGED HEAT PUMPS (LONG)

RV Products
A Division of Airxcel, Inc.
P.O. Box 4020
Wichita, KS 67204

6538 -751 SERIES





6538 -751 SERIES

| CODE | USED ON MODEL | PART NUMBER | DESCRIPTION | NO. REQ. |
|------|------------------|----------------|---|-------------|
| 1. | All | 6538-616 | Basepan Assembly With Insulation | 1 |
| 2. | All | 6538A502 | Top With Insulation | 1 |
| 3. | All | 6538A503 | Bulkhead With Insulation | 1 |
| 4. | All | 6538-505 | Blower Door Assembly | 1 |
| 5. | All | 6538-507 | Filler Panel | 1 |
| 6. | All | 6538-121 | Tube Bracket | 1 |
| 7. | All | 6538-118 | Compressor Door Assembly | 1 |
| 8. | All | 6538-119 | Electric Panel Assembly | 1 |
| 9. | All | 6537-107 | Divider Shelf | 1 |
| 10. | All | 6795-117 | High Voltage Isolator | 1 |
| 11. | All | 6538-108 | Electric Box Door | 1 |
| 12. | All | 1452-173 | Condenser Coil | 1 |
| 13. | All | 1452-172 | Evaporator Coil | 1 |
| 14. | All | 6538-114 | Drain Pan | 1 |
| 15. | All | 6795-200 | Drain Valve | 1 |
| 16. | All | 1450-2339 | Compressor | 2 |
| 17. | All | 1450-0181 | Overload | 2 |
| 18. | All | 6759-3081 | Compressor Foot Pkg. (3/Pkg.) | 2 |
| 19. | All | 6538-532 | Reversing Valve Assembly | 2 |
| 20. | All | 1460-1081 | Solenoid Coil | 2 |
| 21. | All | 6538-552 | Liquid Line Assembly (Includes Expansion Valve) Circuit 1 | 1 |
| 21a. | All | 6538-553 | Liquid Line Assembly (Includes Expansion Valve) Circuit 2 | 1 |
| 22. | All | 6538-302 | Fan Block | 1 |
| 23. | All | 1472-5031 | O.D. Fan Blade | 1 |
| 24. | All | 6538-110 | Fan Bulkhead | 1 |
| 25. | All | 6538-122 | Support Bracket | 1 |
| 26. | All | 1212-0361 | O.D. Sleeve/Grommet Pkg. (4/Pkg.) | 1 |
| 27. | All | 1468-3339 | O.D. Fan Motor | 1 |
| 28. | All | 1499-5461 | O.D. Fan Capacitor (7.5 Mfd/370V) | 1 |
| 29. | All | 1499-951 | Rubber Capacitor Boot | 1 |
| 30. | All | 6536-3011 | Pillow Block Bearing (I.D.) | 1 |
| 31. | All | 1472-1151 | I.D. Blower Wheel | 1 |
| 32. | All | 6535A287 | I.D. Blower Venturi | 1 |
| 33. | All | 6795-302 | I.D. Blower Motor Mount | 1 |
| 34. | All | 1468A3219 | I.D. Blower Motor (Reversible) | 1 |
| 35. | All | 6537A590 | I.D. Blower Housing Assembly | 1 |
| ns | All | 7330A3231 | Coil Sensor | 2 |
| 36. | All | 1460-1131 | Compressor Relay | 2 |
| 37. | All | 1499-5731 | Compressor Run Capacitor (45 Mfd/370V) | 2 |
| 38. | All | 6795-3151 | High Voltage Terminal Board | 1 |

6538-751 SERIES



| CODE | USED ON MODEL | PART NUMBER | DESCRIPTION | NO. REQ. |
|------|------------------|----------------|--------------------------------------|-------------|
| 39. | All | 1216-228 | Grounding Lug | 1 |
| 40. | All | 1497-0891 | Start Capacitor (108-130 Mfd/165V) | 2 |
| 41. | All | 6535C3201 | P.C. Board | 1 |
| 42. | All | 1499-5461 | I.D. Blower Capacitor (7.5 Mfd/370V) | 1 |
| 43. | All | 1497-4131 | Start Relay | 2 |

ns = not shown

Note: All parts with three digit suffix numbers are “Special Order” Parts. These parts are subject to factory availability and require extra time for delivery.