



REPAIR PARTS LIST FOR 8335 "D" SERIES

WARRANTY INFORMATION

PARTS RETURN

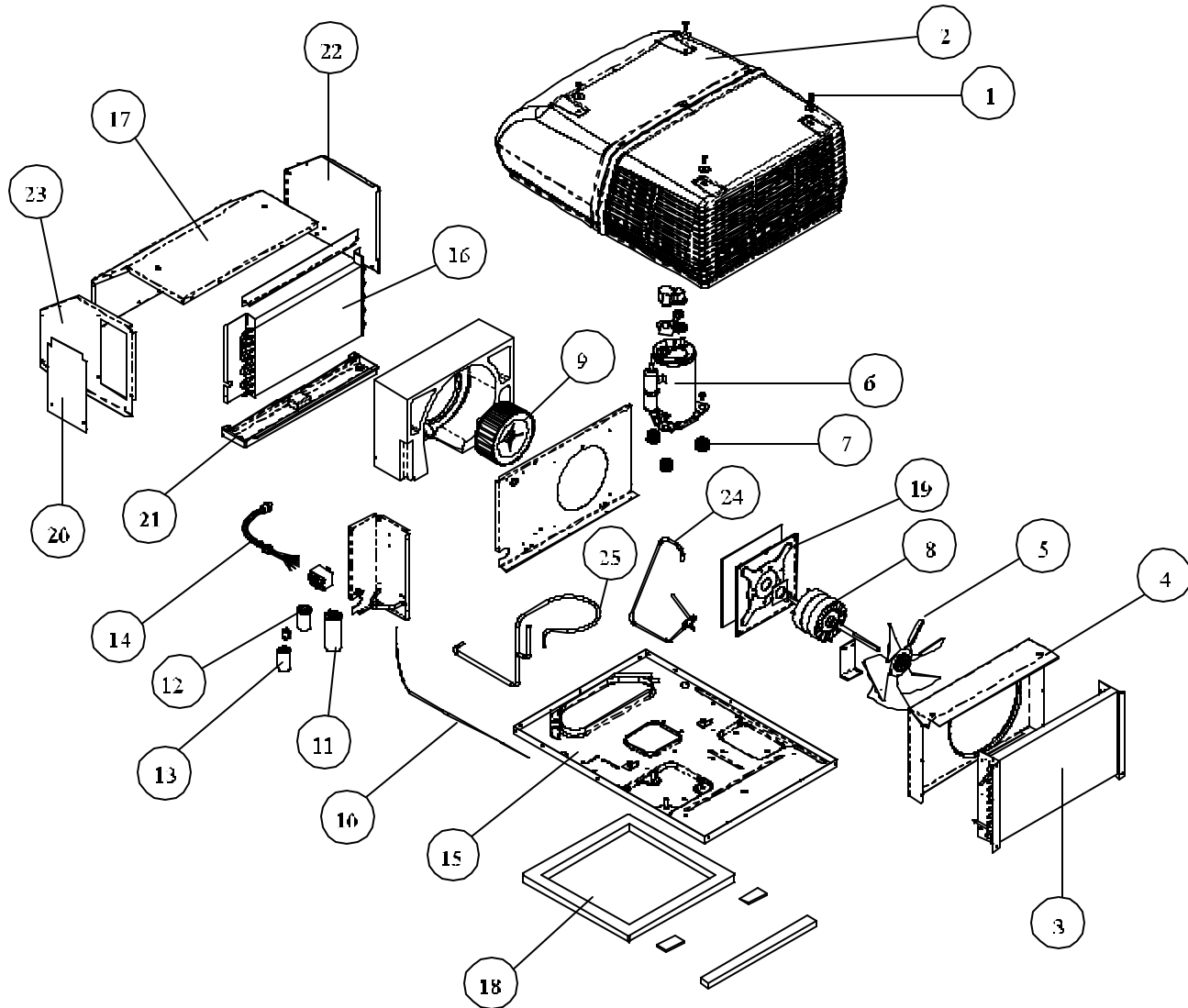
"Air Conditioning" in-warranty parts subject to return to RV Products must be sent prepaid to the following address. Always include your company's claim or workorder along with RVP's invoice generated from the shipment of the replacement part.

RV Products
A Division of Airxcel, Inc.
Attn: Warranty Return
3050 N. St. Francis
Wichita, KS 67219

WRITTEN CORRESPONDENCE

All written correspondence (no parts) should be sent to the following address:

RV Products
A Division of Airxcel, Inc.
Dept. 546
P.O. Box 4020
Wichita, KS 67204



8335 “D” SERIES



CODE	USED ON MODELS	PART NUMBER	DESCRIPTION	NO. REQ.
1.	All	6792-5111	Screw Nut & Washer (4 Pkg.)	1
2.	876	8335-5261	Shroud (White/White)	1
	877	8335-5271	Shroud (Ivory/Ivory)	1
3.	All	1452A1321	Condenser Coil	1
4.	All	6792-1071	Fan Shroud	1
5.	All	6733-3221	Fan (4 Blade, 11 Dia., 40 Degree Pitch, .50 Dia. Bore)	1
6.	All	1450B2299	Compressor (Tecumseh)	1
7.	All	6759-3081	Compressor Mounting Pkg. (3 Pkg.)	1
8.	All	1468-3069	Motor (115V, 60 HZ)	1
9.	All	1472-1091	Impellor	1
10.	All	8335-1351	Cap Tube (Formed)	1
11.	All	1499-5671	Run Capacitor (30 Mfd/370V)	1
12.	All	1499-5461	Fan Capacitor (7.5 Mfd/370V)	1
13.	All	8333A9021	Start Capacitor/PTCR Device	1
14.	All	8333B3751	Conduit & Wiring Assembly (6 Wires)	1
15.	All	8333B1011	Basepan (with foam scroll)	1
16.	All	1452-1521	Evaporator Coil	1
17.	All	8333A5061	Evaporator Cover Assy. With Insulation	1
ns	All	8335A3841	Filler Pad - Condenser Air Seal	1
18.	All	8332-3301	Gasket Pkg.	1
19.	All	8333-5151	Motor Mount & Shaft Seal Kit	1
20.	All	8333-109	Wirebox Door	1
21.	All	8335-3501	Drain Pan	1
22.	All	8333-505	Side Panel Rt. With Insulation	1
23.	All	8333-507	Side Panel Lt. With Insulation	1
24.	All	8335A133	Suction Line	1
25.	All	8335A134	Discharge Line	1
ns	All	1976C136	Wiring Diagram	1
ns	All	8333B1551	Shroud Bracket	3
ns	All	6759-3791	Overload	1

SPECIAL ORDER PARTS:

NOTE: All parts with three digit suffix numbers are “Special Order” Parts. These parts are subject to factory availability and require extra time for delivery.