



RV Products Division

**REPAIR PARTS LIST
FOR
8535 "D" SERIES
HEAT PUMP**

WARRANTY INFORMATION

PARTS RETURN

"Air Conditioning" in-warranty parts subject to return to Airxcel, Inc. must be sent prepaid to the following address. Always include your company's claim or workorder along with Airxcel, Inc. invoice generated from the shipment of the replacement part.

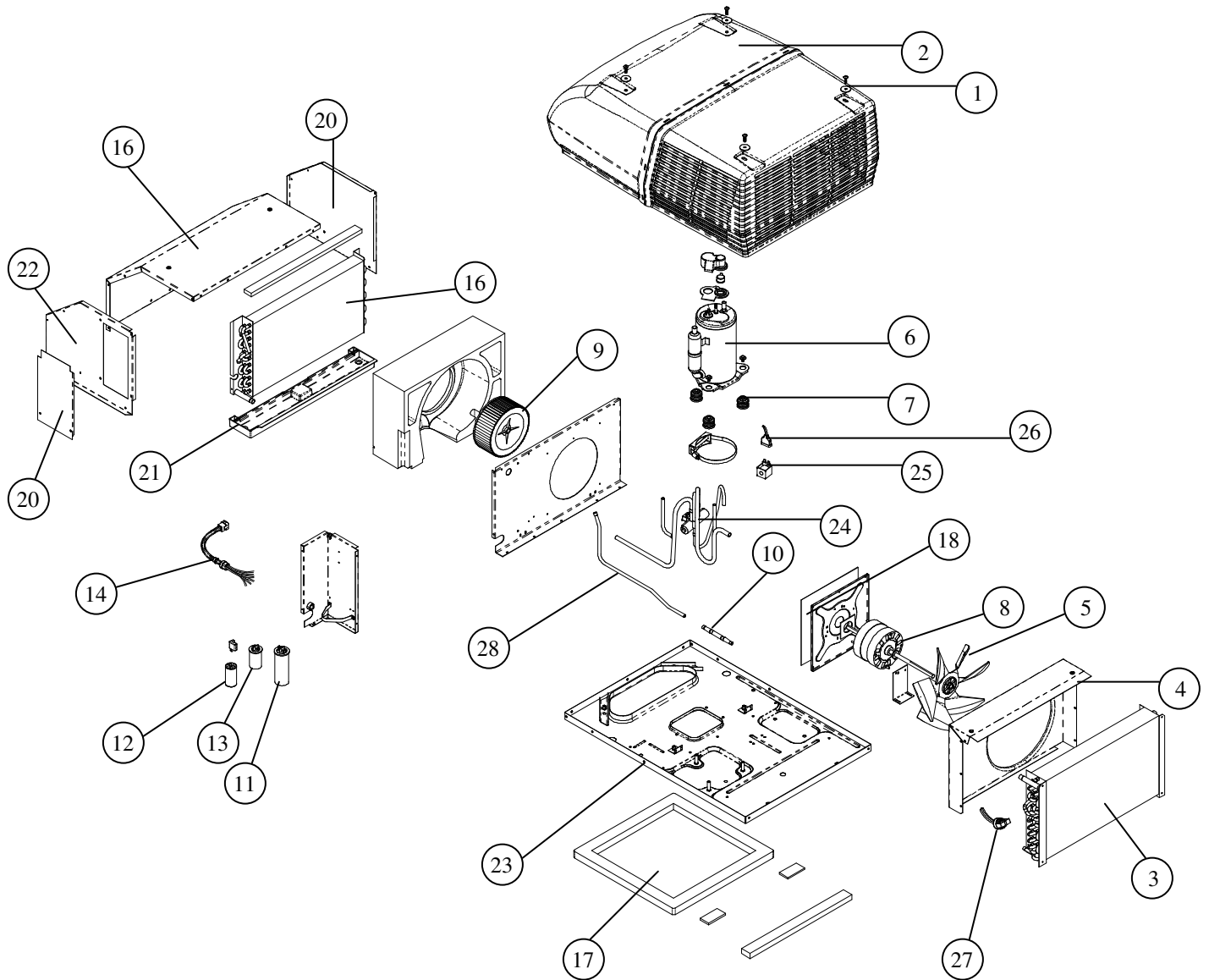
Airxcel, Inc.
RV Products Division
Attn: Warranty Return
3050 N. St. Francis
Wichita, KS 67219

WRITTEN CORRESPONDENCE

All written correspondence (no parts) should be sent to the following address:

Airxcel, Inc.
RV Products Division
Dept. 546
P.O. Box 4020
Wichita, KS 67204

8535"D" SERIES





RV Products Division

8535 "D" SERIES

CODE	USED ON MODEL	PART NUMBER	DESCRIPTION	NO. REQ.
1.	All	6792-5111	Screw Nut & Washer (4/Pkg.)	1
2.	X76	8335A5261	Shroud (Arctic White)	1
	X79	8335A5291	Shroud (Black)	1
3.	All	1452-1441	Outdoor Coil	1
4.	All	6792-1071	Fan Shroud	1
5.	All	6733-3221	Fan (6 Blade, 11 Dia., 40 Degree Pitch, .50 Dia. Bore)	1
6.	87X	1450B2299	Compressor (Tecumseh)	1
	77X	1450-2339	Compressor (Sanyo)	1
7.	All	6759-3081	Compressor Mounting Pkg. (3/Pkg.)	1
8.	All	1468-3069	Motor (115 V, 60 HZ)	1
9.	All	1472-1091	Impellor	1
10.	All	1454-260	By-Flow Restrictor	1
11.	All	1499-5731	Run Capacitor (45 Mfd/370V)	1
12.	All	1499-5461	Fan Capacitor (7.5 Mfd/370V)	1
13.	All	8333A9021	Start Device Pkg.	1
14.	All	8535B375	Conduit & Wiring Assembly	1
15.	All	8333B1011	Basepan (with foam scroll)	1
16.	All	1452-1711	Indoor Coil	1
17.	All	8333A5061	Evaporator Cover Assy. With Insulation	1
ns	All	8335A3841	Filler Pad – Condenser Air Seal	1
18.	All	8332-3301	Gasket Pkg.	1
19.	All	8333-5151	Motor Mount & Shaft Seal Kit	1
20.	All	8333-109	Wirebox Door	1
21.	All	8335A3501	Drain Pan	1
22.	All	8333-505	Side Panel Right With Insulation	1
23.	All	8333-507	Side Panel Left With Insulation	1
24.	87X	8535A540	Reversing Valve Assembly	1
	77X	8535-543	Reversing Valve Assembly	1
25.	All	1460-1081	Solenoid Coil	1
26.	All	1460A109	Solenoid Harness Assembly	1
27.	All	1460A2041	Freeze Switch	1
28.	All	8534-135	Liquid Line	1
ns	All	8333B1551	Shroud Bracket	3
ns	87X	6759-3791	Overload	1
	77X	1450-0181	Overload	1

ns = Not Shown

SPECIAL ORDER PARTS:

NOTE: All parts with three digit suffix numbers are "Special Order" Parts. These parts are subject to factory availability and require extra time for delivery.