



**REPAIR PARTS LIST  
FOR  
9204-8765  
POLAR MACH 15,000 BTU  
ROUGHNECK**

---

**WARRANTY INFORMATION**

**PARTS RETURN**

“Air Conditioning” in-warranty parts subject to return to RV Products must be sent prepaid to the following address. Always include your company’s claim or workorder along with RVP’s invoice generated from the shipment of the replacement part.

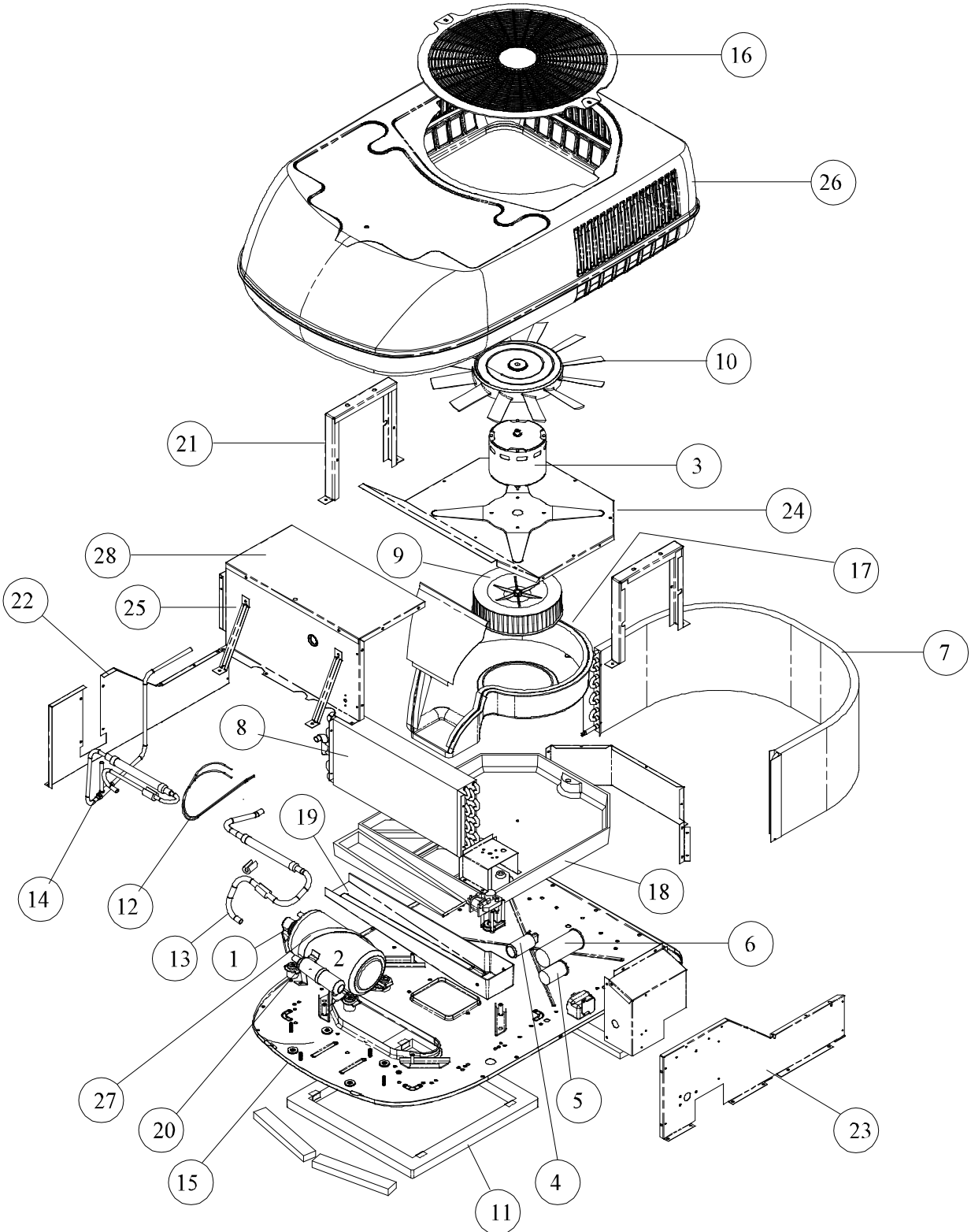
RV Products  
A Division of Airxcel, Inc.  
Attn: Warranty Return  
3050 N. St. Francis  
Wichita, KS 67219

**WRITTEN CORRESPONDENCE**

All written correspondence (no parts) should be sent to the following address:

RV Products  
A Division of Airxcel, Inc.  
Dept. 546  
P.O. Box 4020  
Wichita, KS 67204

9204-8765  
SERIES





# 9204-8765 SERIES

CODE	USED ON MODELS	PART NUMBER	DESCRIPTION	NO. REQ.
1.	All	6759-3791	Overload	1
2.	All	1450A228	Compressor	1
3.	All	1468B3239	Motor	1
4.	All	9333-9021	Start Device Pkg.	1
5.	All	1499-5461	Fan Capacitor (7.5 Mfd/370V)	1
6.	All	1499-5731	Run Capacitor (45 Mfd/370V)	1
7.	All	1452A120	Condenser Coil	1
8.	All	1452A129	Evaporator Coil	1
9.	All	1472-1181	Blower Wheel	1
10.	All	1472-5021	Fan Blade	1
11.	All	8332-3301	Gasket Pkg.	1
12.	All	9232-133	Cap Tube (Formed)	1
13.	All	9204-530	Suction Line Assembly	1
14.	All	9204-531	Discharge Line Assembly	1
15.	All	9233B101	Basepan	1
16.	All	9233A3151	Fan Grille	1
17.	All	9233-316	Blower Scroll	1
18.	All	9233B325	Blower Tray	1
19.	All	9233-250	Drain Pan	1
20.	All	1450-9811	Compressor Foot Pkg.	1
21.	All	9233A506	Side Brace Assembly	2
22.	All	9233-602	Right Side Panel Assembly	1
23.	All	9233-603	Left Side Panel Assembly	1
24.	All	9233-604	Back Panel Assembly	1
25.	All	9233E607	Evaporator Cover - Front Panel	1
26.	876	9233A5461	Shroud (Arctic White)	1
	879	9233A5491	Shroud (Black)	1
	9214	9233A4461	Shroud (Arctic White) Solar Ready	1
ns	9224	9233-5091	Condensate Pump Assembly	1
ns	All	6792-5111	Screw/Washer Pkg.	1
27.	All	9204-524	Compressor Strap Assembly	1
28.	All	9233-622	Evaporator Cover - Top Panel	1

### SPECIAL ORDER PARTS:

**NOTE: All parts with three digit suffix numbers are “Special Order” Parts. These parts are subject to factory availability and require extra time for delivery.**