



REPAIR PARTS LIST FOR 8535B89X SERIES HEAT PUMP WITH TECUMSEH COMPRESSOR

WARRANTY INFORMATION

PARTS RETURN

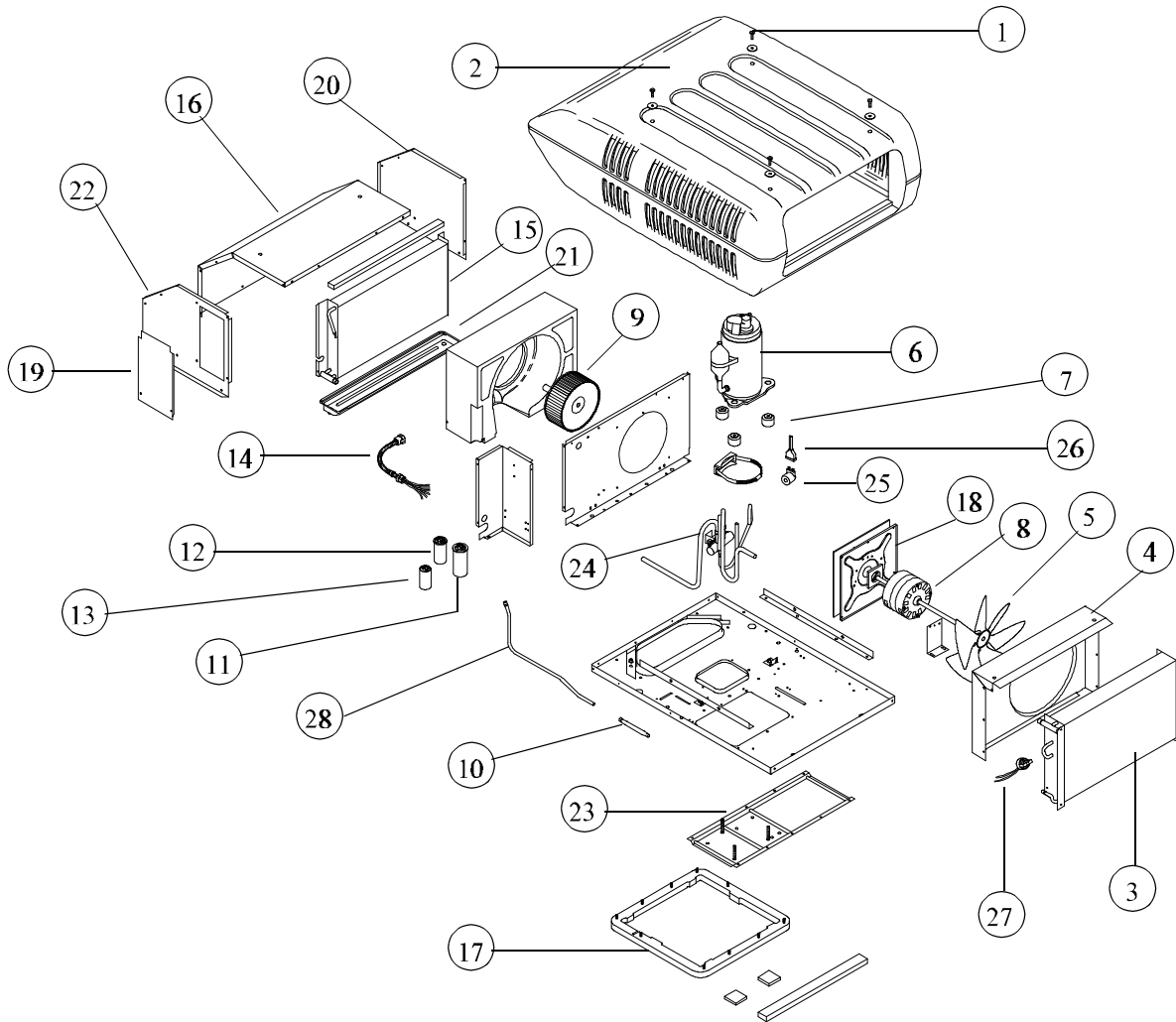
“Air Conditioning” in-warranty parts subject to return to RV Products must be sent prepaid to the following address. Always include your company’s claim or workorder along with RVP’s invoice generated from the shipment of the replacement part.

RV Products
A Division of Airxcel, Inc.
Attn: Warranty Return
3050 N. St. Francis
Wichita, KS 67219

WRITTEN CORRESPONDENCE

All written correspondence (no parts) should be sent to the following address:

RV Products
A Division of Airxcel, Inc.
Dept. 546
P.O. Box 4020
Wichita, KS 67204



8535B89X SERIES



CODE	USED ON MODELS	PART NUMBER	DESCRIPTION	NO. REQ.
1.	All	6792-5111	Screw Nut & Washer (4 Pkg.)	1
2.	All (Except "P")	8333-4161	Shroud (Arctic White/Arctic White)	1
	All	8333-4191	Shroud (Black)	1
3.	All	1452-1441	Condenser Coil	1
4.	All	7535-1071	Fan Shroud	1
5.	All	6733-3221	Fan (4 Blade, 11 Dia., 40 Degree Pitch, .50 Dia. Bore)	1
6.	All	1450A2069	Compressor	1
7.	All	6759-3081	Compressor Mounting Pkg. (3 Pkg.)	1
8.	All	1468-3069	Motor (115V, 60 HZ)	1
9.	All	1472-1091	Impellor	1
10.	All	1454-2501	By-Flow Restrictor	1
11.	All	1499-5721	Run Capacitor (40 Mfd)	1
12.	All	1499-5461	Fan Capacitor (7.5 Mfd/370V)	1
13.	All	1497-0871	Start Capacitor	1
ns	All	1497-4131	Start Relay	1
14.	All	8535-375	Conduit & Wiring Assembly	1
15.	All	1452-1521	Evaporator Coil	1
16.	All	8333A5061	Evaporator Cover Assy. With Insulation	1
ns	All	8333-3841	Filler Pad - Condenser Air Seal	1
17.	All	8332-3301	Gasket Pkg.	1
18.	All	8333-5151	Motor Mount & Shaft Seal Kit	1
19.	All	8333-109	Wirebox Door	1
20.	All	8333-505	Side Panel Rt. With Insulation	1
21.	All	8333-1501	Drain Pan Assy.	1
22.	All	8333-507	Side Panel Lt. With Insulation	1
23.	All	8333C5161	Spacer Plate Assy.	1
24.	All	7535A530	Reversing Valve Assembly	1
25.	All	1460-1081	Solenoid Coil	1
26.	All	1460A109	Solenoid Harness Assembly	1
27.	All	1460-2041	Freeze Switch	1
28.	All	7535-135	Liquid Line	1
ns	All	8333A1551	Shroud Bracket	1

SPECIAL ORDER PARTS:

NOTE: All parts with three digit suffix numbers are "Special Order" Parts. These parts are subject to factory availability and require extra time for delivery.