



REPAIR PARTS LIST FOR 8632C87XX SERIES HIGH EFFICIENCY

WARRANTY INFORMATION

PARTS RETURN

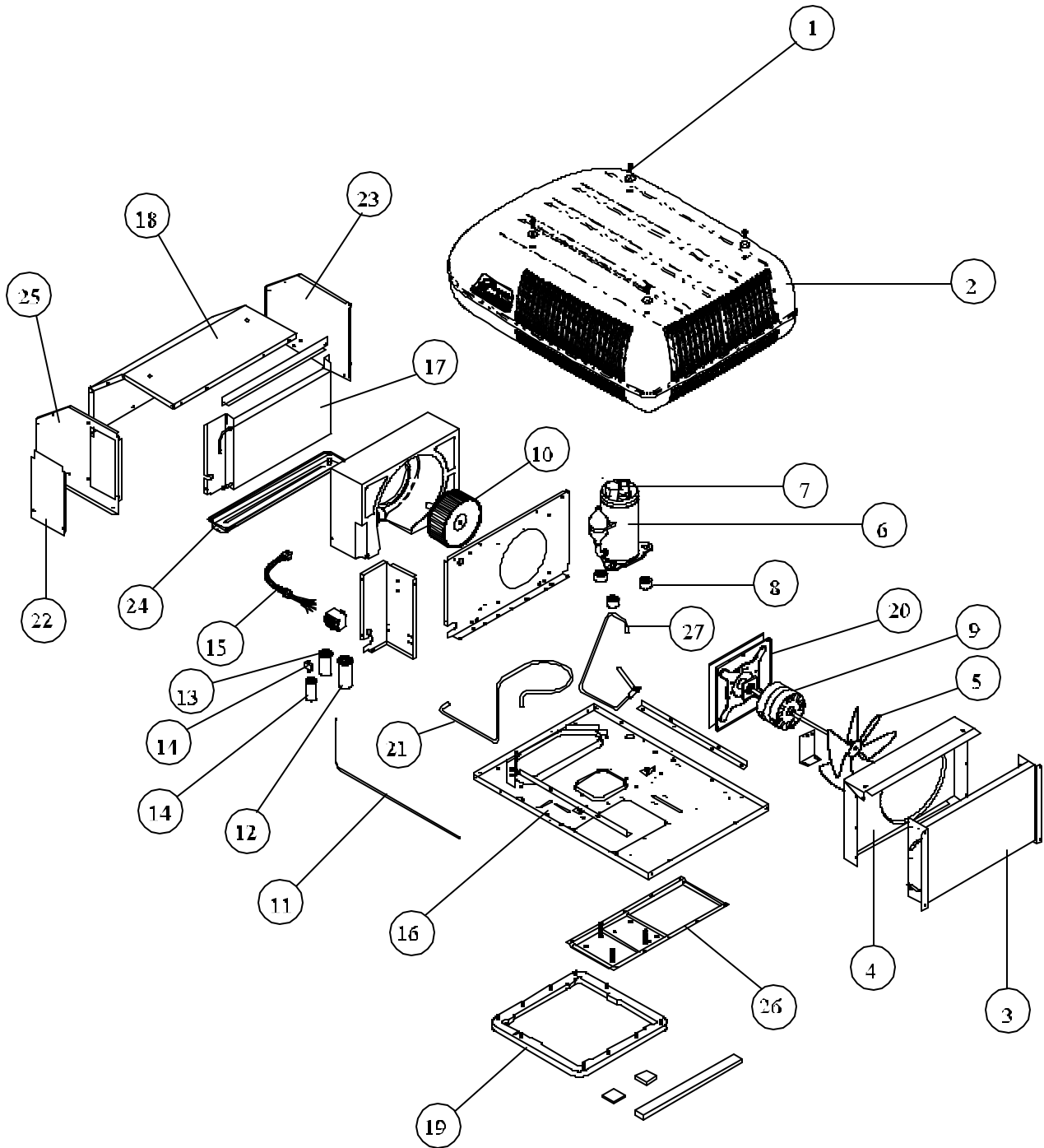
“Air Conditioning” in-warranty parts subject to return to RV Products must be sent prepaid to the following address. Always include your company’s claim or workorder along with RVP’s invoice generated from the shipment of the replacement part.

RV Products
A Division of Airxcel, Inc.
Attn: Warranty Return
3050 N. St. Francis
Wichita, KS 67219

WRITTEN CORRESPONDENCE

All written correspondence (no parts) should be sent to the following address:

RV Products
A Division of Airxcel, Inc.
Dept. 546
P.O. Box 4020
Wichita, KS 67204



8632C87XX SERIES



CODE	USED ON MODELS	PART NUMBER	DESCRIPTION	NO. REQ.
1.	All	6792-5111	Screw Nut & Washer (4 Pkg.)	1
2.	871	8333-4111	Shroud (White/White)	1
	874	8333-4141	Shroud (Silver)	1
	875	8333-4151	Shroud (Gold)	1
	876	8333-4161	Shroud (Arctic White/Arctic White)	1
	879	8333-4191	Shroud (Black/Black)	1
	“87P”	6759-4611	Shroud (Paintable)	1
3.	All	1452A1321	Condenser Coil	1
4.	All	6792-1071	Fan Shroud	1
5.	All	6733-3221	Fan (4 Blade, 11 Dia., 40 Degree Pitch, .50 Dia. Bore)	1
6.	All	1450-2249	Compressor (Tecumseh)	1
7.	All	1450-0121	Overload	1
8.	All	6759-3081	Compressor Mounting Pkg. (3 Pkg.)	1
9.	All	1468-3109	Motor (115V, 60 HZ)	1
10.	All	1472-1091	Impellor	1
11.	All	7335B1331	Cap Tube (Formed)	1
12.	All	1499-5721	Run Capacitor (Comp-40 Mfd/370V)	1
13.	All	1499-5461	Fan Capacitor (7.5 Mfd/370V)	1
14.	All	*	Included With #15	1
14.	All	8333A9021	PTCR Start Device	1
15.	All	8333-3751	Conduit & Wiring Assembly (6 Wires)	1
16.	All	8333A1011	Basepan (with foam scroll)	1
17.	All	1452-1521	Evaporator Coil	1
18.	All	8333A5061	Evaporator Cover Assy. With Insulation	1
ns	All	8333-3841	Filler Pad - Condenser Air Seal	1
19.	All	8332-3301	Gasket Pkg.	1
20.	All	8333-5151	Motor Mount & Shaft Seal Kit	1
21.	All	8632-533	Suction Line	1
22.	All	8333-109	Wirebox Door	1
ns	All	1976C136	Wiring Diagram	1
23.	All	8333-505	Side Panel Rt. With Insulation	1
24.	All	8333-1501	Drain Pan Assembly	1
25.	All	8333-507	Side Panel Lt. With Insulation	1
26.	All	8333B5161	Spacer Plate Assembly	1
27.	All	8632-134	Discharge Line	1
ns	All	8333A1551	Shroud Bracket	2

SPECIAL ORDER PARTS:

NOTE: All parts with three digit suffix numbers are “Special Order” Parts. These parts are subject to factory availability and require extra time for delivery.