



**REPAIR PARTS LIST  
FOR  
90X4 SERIES  
POLAR MACH HEAT PUMP  
15,000 BTU**

---

**WARRANTY INFORMATION**

**PARTS RETURN**

“Air Conditioning” in-warranty parts subject to return to RV Products must be sent prepaid to the following address. Always include your company’s claim or workorder along with RVP’s invoice generated from the shipment of the replacement part.

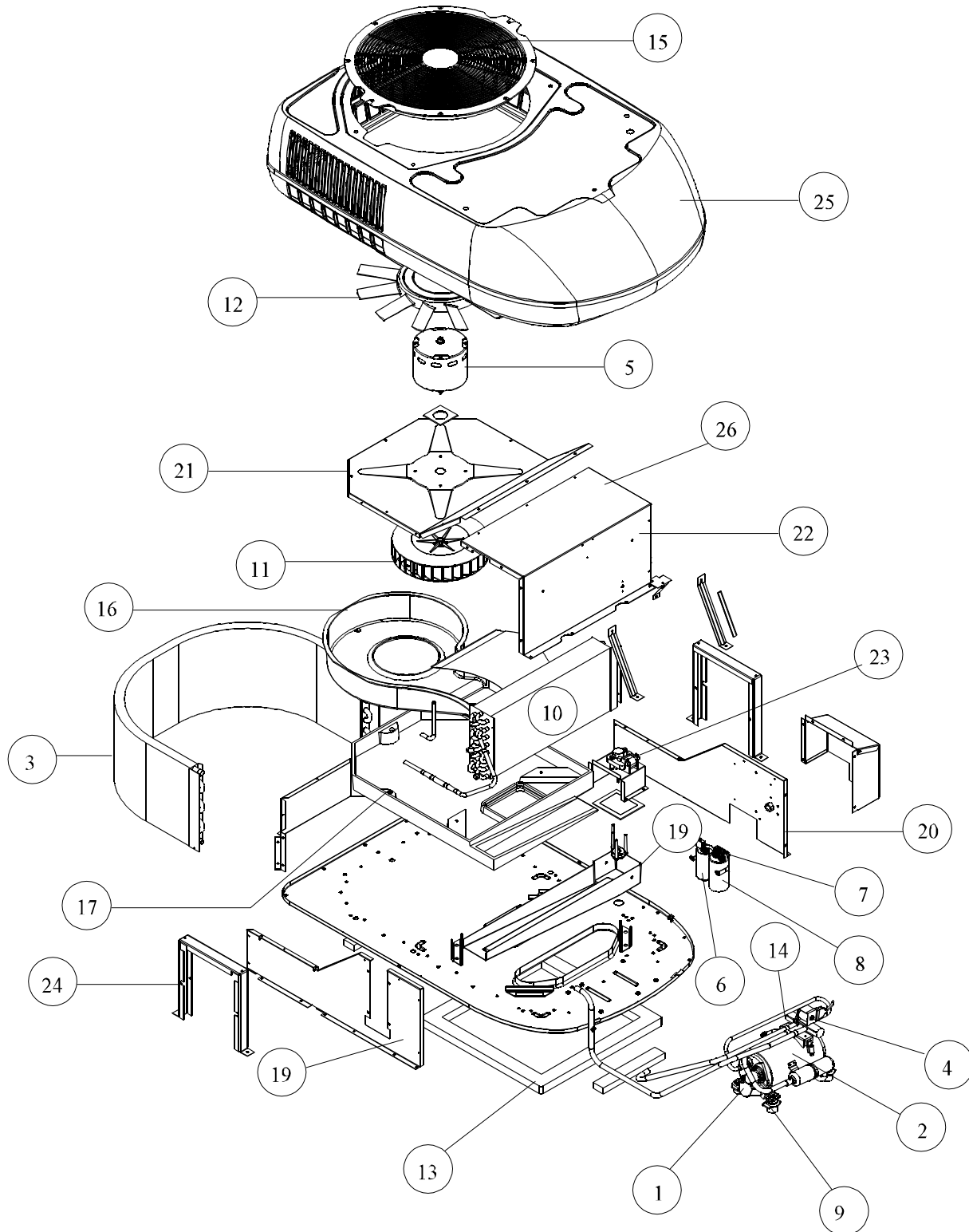
RV Products  
A Division of Airxcel, Inc.  
Attn: Warranty Return  
3050 N. St. Francis  
Wichita, KS 67219

**WRITTEN CORRESPONDENCE**

All written correspondence (no parts) should be sent to the following address:

RV Products  
A Division of Airxcel, Inc.  
Dept. 546  
P.O. Box 4020  
Wichita, KS 67204

# 90X4 SERIES





# 90X4 SERIES

CODE	USED ON MODELS	PART NUMBER	DESCRIPTION	NO. REQ.
1.	67X	1450-0141	Overload	1
	77X	1450-0181	Overload	1
	87X	6759-3791	Overload	1
2.	67X	9034-5239	Compressor (Panasonic)	1
	77X	1450-2399	Compressor (Sanyo)	1
	87X	1450A228	Compressor (Tecumseh)	1
3.	All	1452-1241	Condenser Coil	1
4.	All	1460-1081	Solenoid Coil	1
5.	All	1468B3239	Motor	1
6.	All	9333-9021	Start Device Pkg.	1
7.	All	1499-5461	Fan Capacitor (7.5 Mfd/370V)	1
8.	All	1499-5731	Run Capacitor (45 Mfd/370V)	1
9.	All	7670-3551	Compressor Grommet Pkg.	1
10.	All	1452A1291	Evaporator Coil	1
11.	All	1472-1181	Blower Wheel	1
12.	All	1472-5021	Fan Blade	1
13.	All	8332-3301	Gasket Pkg.	1
ns	All	9032A5061	Freeze Switch Assembly	1
14.	67X	9034-5301	Reversing Valve Assembly	1
	77X	9034-540	Reversing Valve Assembly	1
	87X	9034-536	Reversing Valve Assembly	1
15.	All	9233B3151	Fan Grille	1
16.	All	9233-316	Blower Scroll	1
17.	All	9233B325	Blower Tray	1
18.	All	9233-250	Drain Pan	1
19.	All	9233-602	Right Side Panel Assembly	1
20.	All	9233-603	Left Side Panel Assembly	1
21.	All	9233-604	Back Panel Assembly	1
22.	All	9233F607	Evaporator Cover - Front Panel	1
23.	9024/9034	9233-5091	Condensate Pump Assembly	1
24.	All	9233-506	Side Brace Assembly	1
25.	876	9233A5461	Shroud (Arctic White)	1
	879	9233A5491	Shroud (Black)	1
	9014/9034	9233A4461	Shroud (Arctic White) Solar Ready	1
ns	67X	1454-257	Restrictor	1
	77X & 87X	1454-258	Bi-Flow Restrictor	1
ns	All	9032B375	Wiring Harness	1
26.	All	9233-622	Evaporator Cover - Top Panel	1

### SPECIAL ORDER PARTS:

**NOTE: All parts with three digit suffix numbers are "Special Order" Parts. These parts are subject to factory availability and require extra time for delivery.**