



REPAIR PARTS LIST

FOR

6532-871

9,000 BTU PACKAGED HEAT PUMP

WARRANTY INFORMATION

PARTS RETURN

“Air Conditioning” in-warranty parts subject to return to RV Products must be sent prepaid to the following address. Always include your company’s claim or workorder along with RVP’s invoice generated from the shipment of the replacement part.

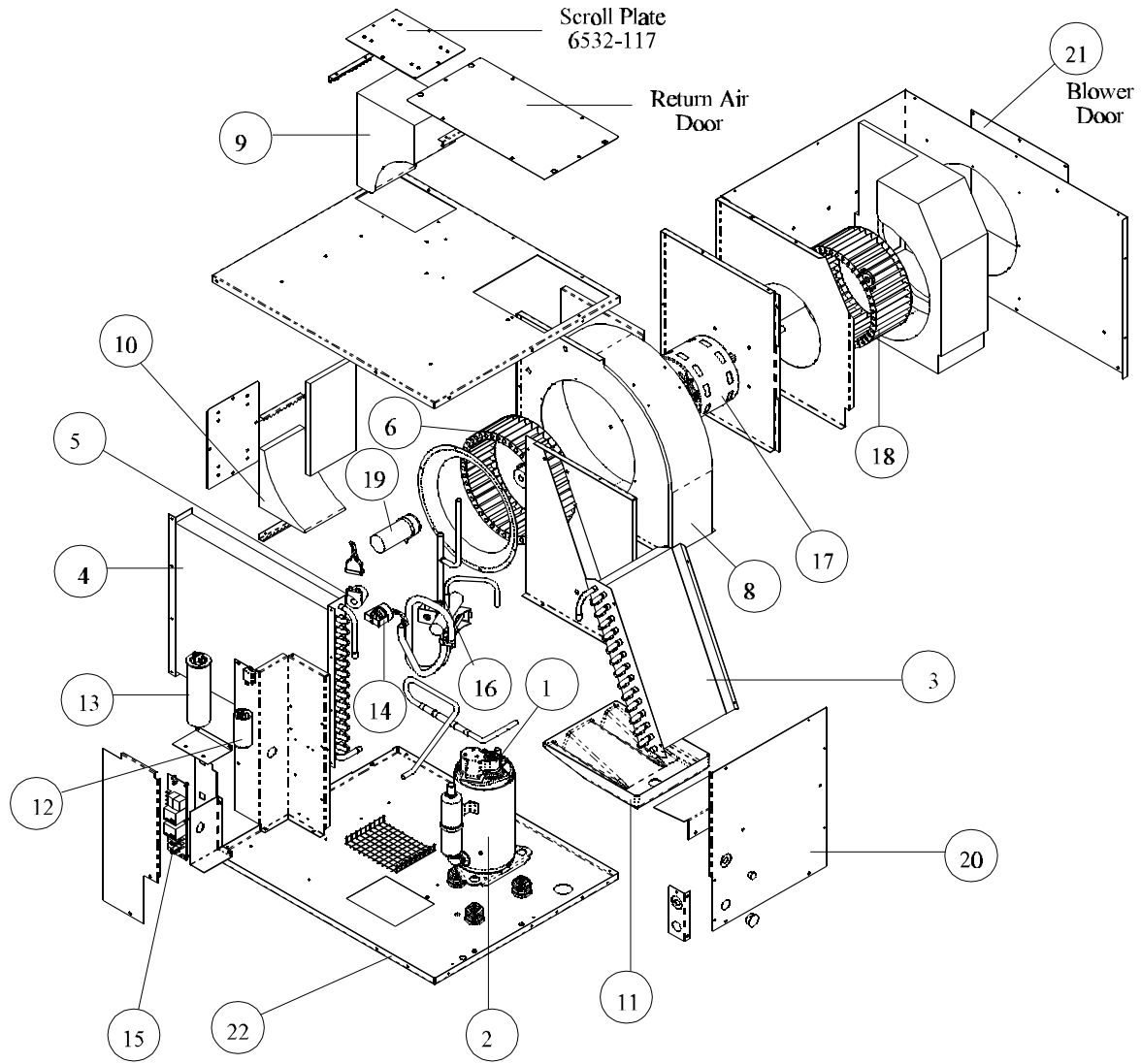
RV Products
A Division of Airxcel, Inc.
Attn: Warranty Return
3050 N. St. Francis
Wichita, KS 67219

WRITTEN CORRESPONDENCE

All written correspondence (no parts) should be sent to the following address:

RV Products
A Division of Airxcel, Inc.
Dept. 546
P.O. Box 4020
Wichita, KS 67204

**6532-871
SERIES**





6532-871 SERIES

| CODE | USED ON MODELS | PART NUMBER | DESCRIPTION | NO. REQ. |
|------|----------------|-------------|------------------------------|----------|
| 1. | All | 1450-0121 | Overload Protector | 1 |
| 2. | All | 1450-2199 | Compressor | 1 |
| 3. | All | 1452-1221 | Evaporator Coil | 1 |
| 4. | All | 1452-1231 | Condenser Coil | 1 |
| 5. | All | 1460-1081 | Solenoid Coil | 1 |
| 6. | All | 1472-1131 | Indoor Blower Wheel | 1 |
| 7. | All | 6531-504 | Drain Tube Assembly | 1 |
| 8. | All | 6532-325 | Indoor Scroll | 1 |
| 9. | All | 6532-326 | Scroll Block Top | 1 |
| 10. | All | 6532-327 | Scroll Block Side | 1 |
| 11. | All | 6532-350 | Drain Pan | 1 |
| 12. | All | 8333A9021 | Start Device Pkg. | 1 |
| 13. | All | 1499-5721 | Run Capacitor (40 Mfd/370V) | 1 |
| 14. | All | 1460-2041 | Freeze Switch | 1 |
| 15. | All | 7330B3311 | P.C. Board | 1 |
| 16. | All | 6532-530 | Reversing Valve Assembly | 1 |
| 17. | All | 1468-3019 | Motor | 1 |
| 18. | All | 1472-1141 | Outdoor Blower Wheel | 1 |
| 19. | All | 1499-5461 | Fan Capacitor (7.5 Mfd/370V) | 1 |
| 20. | All | 6532-118 | Return Air Door | 1 |
| 21. | All | 6532-119 | Blower Door | 1 |
| 22. | All | 6532-601 | Basepan Assembly | 1 |
| 23. | All | 7330A3231 | Coil Sensor | 1 |

SPECIAL ORDER PARTS:

NOTE: All parts with three digit suffix numbers are "Special Order" Parts. These parts are subject to factory availability and require extra time for delivery.