



REPAIR PARTS LIST

FOR

8530-7332

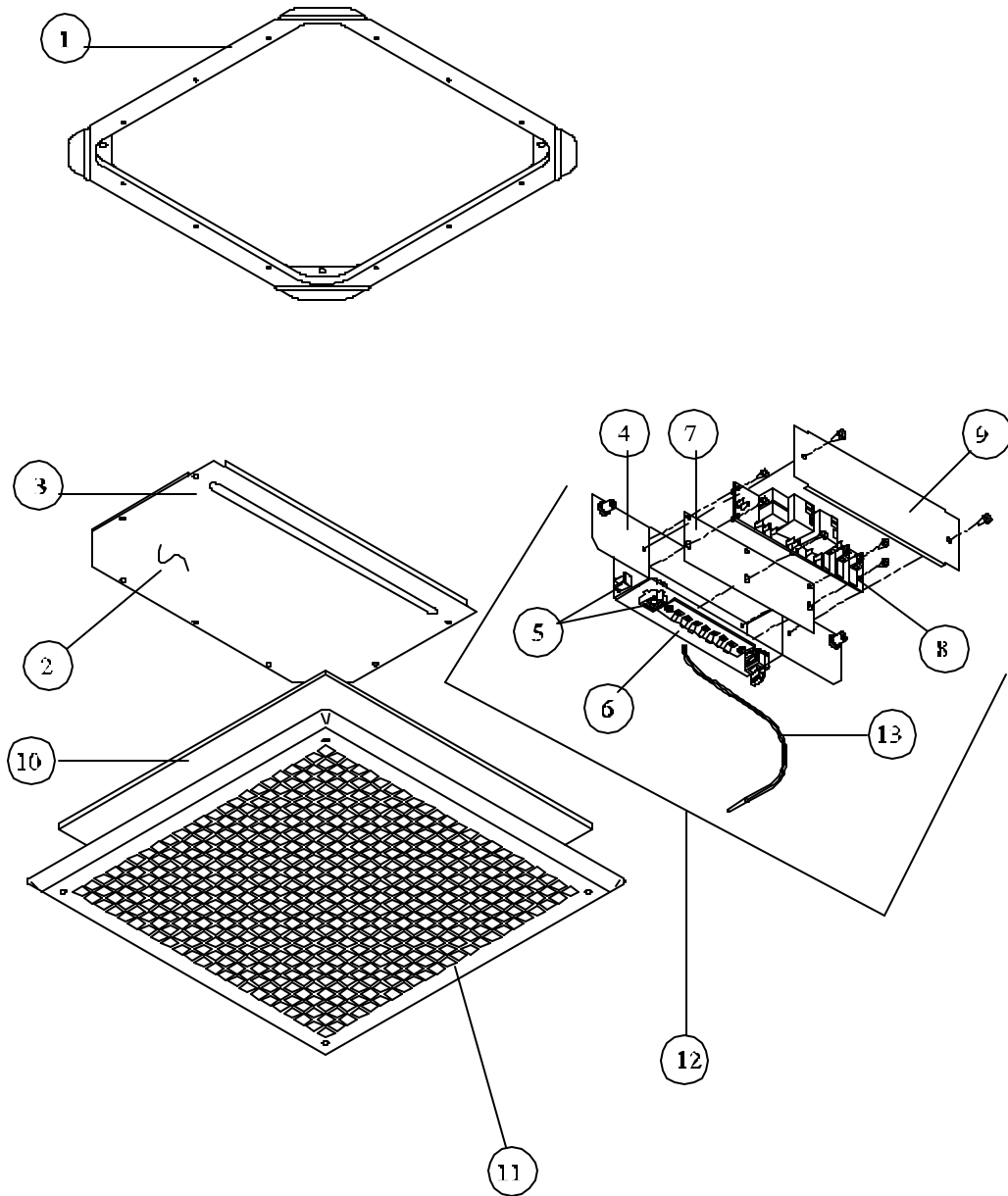
FLUSH MOUNT HEAT PUMP

CEILING PLENUM

NO HEAT STRIP/NO DIVIDER

RV Products
A Division of Airxcel, Inc.
P.O. Box 4020
Wichita, KS 67204

8530-7332





8530-7332

CODE	MODEL USED ON	PART NUMBER	DESCRIPTION	NO. REQ.
1.	All	8333-1031	Mounting Frame & Bolt Pkg.	1
2.	All	8330-101	Duct Plate	1
3.	All	8330-380	Duct Plate Gasket	1
4.	All	7330-113	Junction Box	1
5.	All	7530A340	Plug Assembly	1
6.	All	7530B3201	Terminal Board	1
7.	All	7330C365	Isolator Blank	1
8.	All	7330B3311	P.C. Board	1
9.	All	7330A104	Junction Box Lid	1
10.	All	6798A3761	Filter	1
11.	All	6798-3041	Grille (Plastic)	1
ns	All	8330-5951	Small Parts Pkg.	1
12.	All	7530A508	Junction Box Assembly Complete	1
ns	All	1200-500	Wing Screw	1
ns	All	1200-550	Wing Nut	2
13.	All	7330A3231	Coil Sensor	1

SPECIAL ORDER ITEMS

Note: All parts with three digit suffix numbers are “Special Order” Parts. These parts are subject to factory availability and require extra time for delivery.

ns = not shown