



**REPAIR PARTS LIST  
FOR  
7433-797, 7433A797, 7433A887, 7433A897  
7433A797, 7433B897, 7433C797, 7433C887  
ROUGHNECK SERIES**

---

**WARRANTY INFORMATION**

**PARTS RETURN**

“Air Conditioning” in-warranty parts subject to return to RV Products must be send prepaid to the following address. Always include your company’s claim or workorder along with RV Products invoice generated from the shipment of the replacement part.

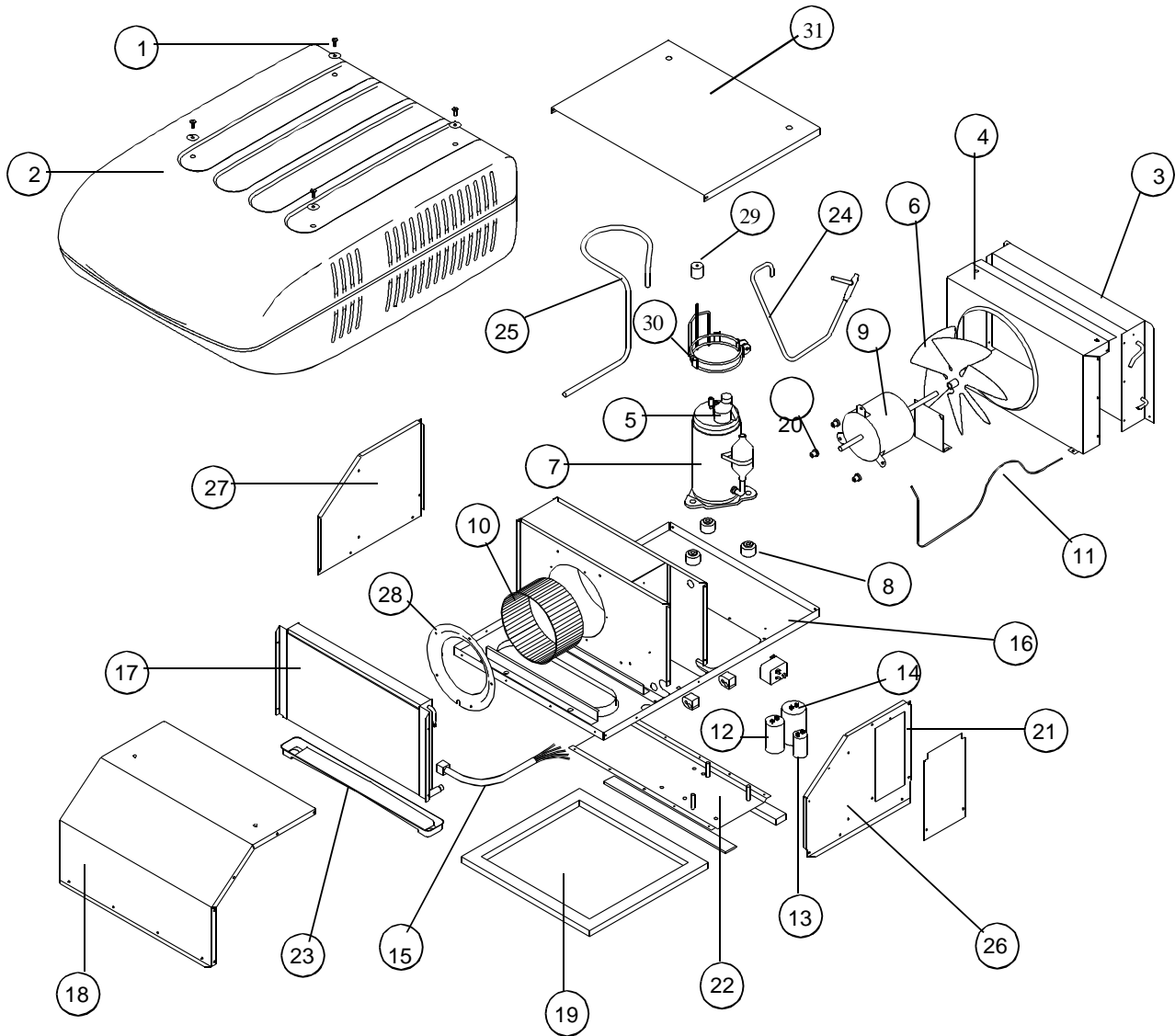
RV Products  
A Division of Airxcel, Inc.  
Attn: Warranty Return  
3050 N. St. Francis  
Wichita, KS 67219

**WRITTEN CORRESPONDENCE**

For written correspondence only, do not send parts to the following address:

RV Products  
A Division of Airxcel, Inc.  
Dept. 546  
P.O. Box 4020  
Wichita, KS 67204

7433-797, 7433A797, 7433A887  
7433A897, 7433B797, 7433B897  
7433C797, 7433C887





**7433-797, 7433A797, 7433A887,  
7433A897, 7433B797, 7433B887,  
7433C797, 7433C887**

CODE	MODEL USED ON	PART NUMBER	DESCRIPTION	NO. REQ.
1.	All	6792-5111	Screw Nut & Washer (4/Pkg.)	1
2.	886	7333-4601	Shroud (Arctic White/Arc. White w/Logo)	1
	797, 887, 897	6759-4601	Shroud (Ivory/Ivory w/Logo)	1
ns	All	6798B3591	Decal Pkg. (Left & Right)	1
3.	“-”, “A”	1452B1301	Condenser Coil	1
	“B”	1452-1451	Condenser Coil	1
	“C”	1452A1451	Condenser Coil	1
4.	All	6792-1071	Fan Shroud	1
5.	797	6749-3541	Overload (MRA #98693)	1
	887, 897	6759-3791	Overload (MRA #2753-117 or 4759)	1
6.	All	6733-3221	Fan (4 Blade, 11 Dia., 40 Degree Pitch, .50 Dia. Bore)	1
7.	797, A797	1450-2049	Compressor (Sanyo)	1
	887, 897	1450-2079	Compressor (Tec-RK157AT-025-A2)	1
8.	-797	6746A3101	Compressor Mounting Pkg. (3/Pkg.)	1
	A797	1450-9971	Compressor Mounting Pkg. (3/Pkg.)	1
	887, 897	6759-3081	Compressor Mounting Pkg. (3/Pkg.)	1
9.	All	1468A3049	Motor (115V, 60 HZ)	1
10.	All	1472-1041	Impellor	1
11.	“-”, “A”	6792-1351	Cap Tube (Formed)	2
	“B”, “C”	7333-1351	Cap Tube (Formed)	1
12.	All	1499-5661	Run Capacitor (Comp-25 Mfd/370V)	1
13.	All	1499-5461	Fan Capacitor (7.5 Mfd/370V)	1
14.	797	1497-0871	Start Capacitor (88-108 Mfd/165V)	1
	887, 897	1497-1081	Start Capacitor (108-130 Mfd/165V)	1
ns	All	1497-4131	Start Relay (RBM #128226-1945C)	1
15.	All	6792-5491	Conduit & Wiring Assembly (6 Wires)	1
16.	All	6792A5011	Basepan (Send with Item #21)	1
17.	“-”, “A”	1452A1311	Evaporator Coil	1
	“B”, “C”	1452A1491	Evaporator Coil	1
18.	All	6792A5061	Evaporator Cover Assembly with Insulation	1
ns	All	6759B3971	Filler Pad - Condenser Air Seal	1
19.	All	6792A3301	Gasket Pkg.	1
20.	All	6792A3361	Motor Mount & Shaft Seal Kit	1
21.	All	6792B109	Wirebox Door	1
22.	797	7473-5171	Spacer Plate & Pad	1
	887	6792-5161	Spacer Plate & Pad	1
23.	All	7333-5501	Drain Pan	1
ns	887	1215-2161	Suction Line Reducer (3/8" x 1/2")	1
24.	797	7333B130	Suction Line	1
	887	6792B130	Suction Line	1
25.	797	7333B131	Discharge Line	1
	887	6792A131	Discharge Line	1
	All “C”	6792B131	Discharge Line	1
26.	All	6792B505	Side Panel (Rt. w/Insulation)	1
27.	All	6792-504	Side Panel (Lt. w/Insulation)	1
28.	All	6792-114	Venturi Ring	1
29.	All	6770-3011	Compressor Snubber	1

**7433-797, 7433A797, 7433A887,  
7433A897, 7433B797, 7433B897  
7433C797, 7433C887**



<b>CODE</b>	<b>MODEL USED ON</b>	<b>PART NUMBER</b>	<b>DESCRIPTION</b>	<b>NO. REQ.</b>
30.	All	7473-301	Compressor Clamp	1
31.	887, 897	7473-501	Top Brace Assembly	1
ns	797	7433-511	Top Brace Assembly	1
ns	All	1200B110	Nut	1
ns	All	1201B613	Nut	1

**Note:** All parts with three digit suffix numbers are “Special Order” Parts. These parts are subject to factory availability and require extra time for delivery.

**ns = not shown**