



REPAIR PARTS LIST

FOR

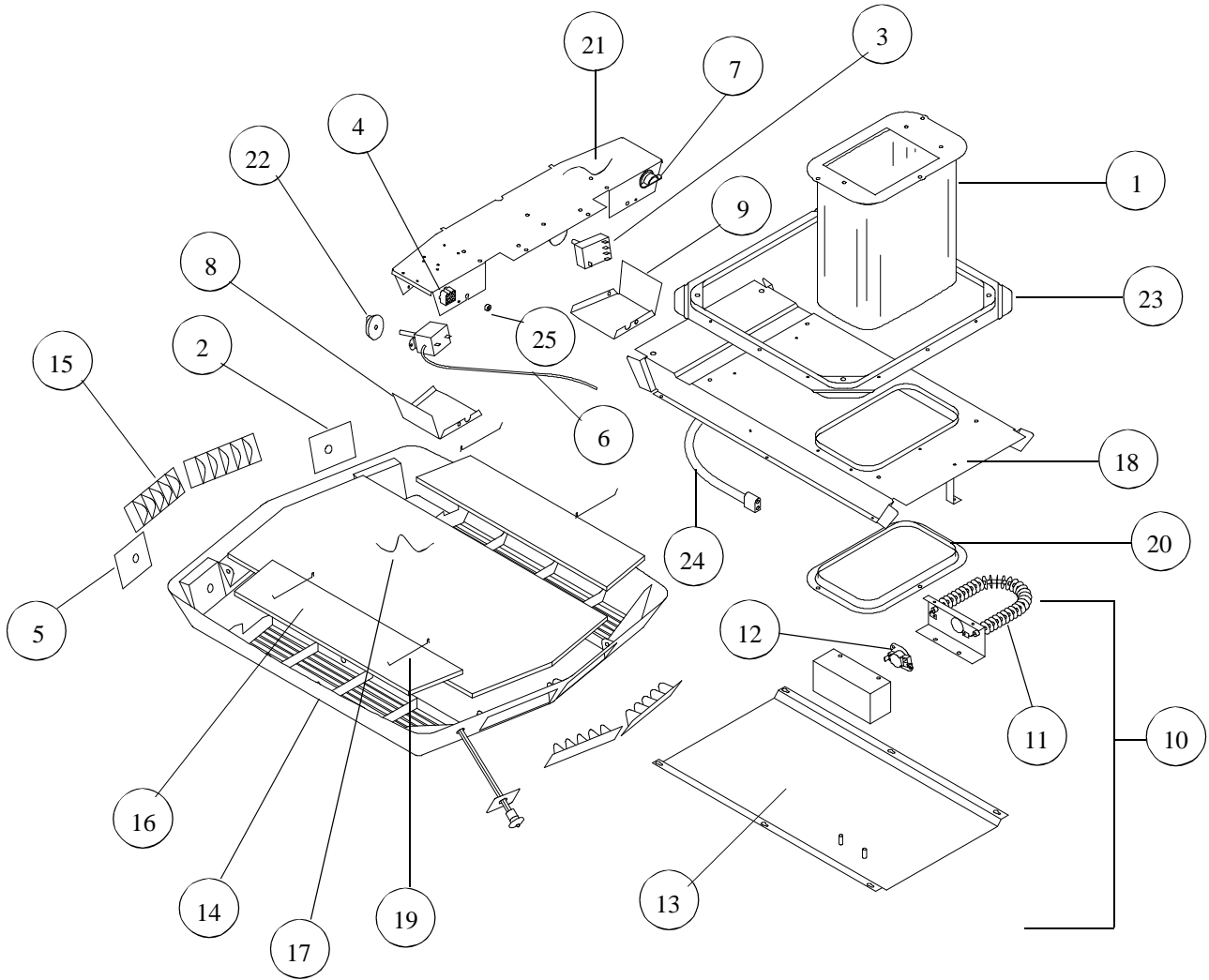
8530-715

HEAT PUMP

CEILING ASSEMBLY

RV Products
A Division of Airxcel, Inc.
P.O. Box 4020
Wichita, KS 67204

8530-715



CODE	MODEL USED ON	PART NUMBER	DESCRIPTION	NO. REQ.
1.	All	6792B4541	Fabric Duct Collar with Flange	1
2.	All	7530-3481	Decal (Heat/Cool Selector Switch)	1
3.	All	6759-3251	Selector Switch (5 Terminals)	1
4.	All	7530-545	Plug Connector (Plastic w/wires)	1
5.	All	6799A3471	Decal (Heat/Cool Thermostat)	1
6.	All	6703-3401	Thermostat (Heat/Cool 90 Degree In, 60 Degree Out)	1
7.	All	1216-461	Connector (3/8 Romex)	1
8.	All	6792-153	Cover (Control Box - Right)	1
9.	All	6792-152	Cover (Control Box - Left)	1
10.	All	6792A4551	Heat Strip Assembly (w/chute bottom)	1
11.	All	6798-3321	Heat Element	1
12.	All	1460A5011	Limit Switch (Open 160 Degree, Closed 110 Degree)	1
13.	All	8330-150	Air Chute Bottom (without heat assembly)	1
14.	All	6769-5051	Ceiling Shroud (White)	1
15.	All	6703-6191	Louver (White)	4
16.	All	6703-3302	Filter (24/Pkg. - Precut)	2
	All	6703-3303	Filter (2/Pkg. - Precut)	2
ns	All	8330-5991	Single Parts Pkg. (3/8 x 6 3/4 Bolts, Knobs and Wire Nuts)	1
17.	All	6792B327	Insulation Pad	1
18.	All	8330-550	Air Chute Assembly	1
19.	All	6799-3141	Filter Retainer Clips (4/Pkg.)	4
20.	All	6792-154	Duct Collar Bottom Flange	1
21.	All	6792A151	Control Box	1
22.	All	6701-3351	Knob Pkg. (2/Pkg.)	2
23.	All	8333-1031	Mounting Frame & Bolt Pkg.	1
24.	All	7530-540	Wire Bundle (w/plug, conduit, 2 wires)	1
25.	All	1212-001	Grommet (1/8 ID x 3/8 OD) for thermostat probe	1
ns	All	6792C337	Air Chute Gasket	1
ns	All	1976-217	Wiring Diagram	1

SPECIAL ORDER ITEMS

Note: All parts with three digit suffix numbers are “Special Order” Parts. These parts are subject to factory availability and require extra time for delivery.

ns = not shown