



REPAIR PARTS LIST

FOR

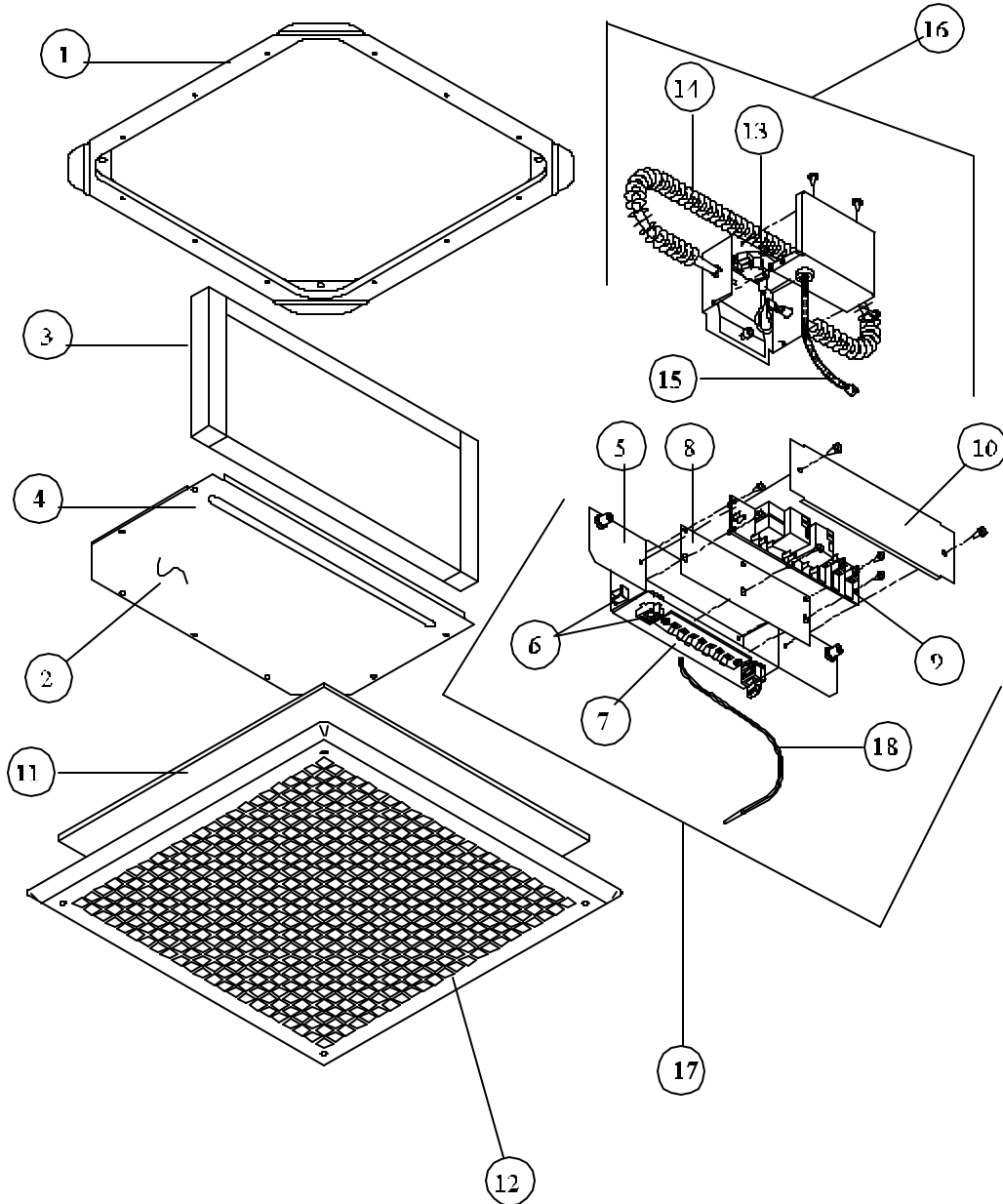
8530-735

FLUSH MOUNT HEAT PUMP

CEILING PLENUM

RV Products
A Division of Airxcel, Inc.
P.O. Box 4020
Wichita, KS 67204

8530-735





8530-735

CODE	MODEL USED ON	PART NUMBER	DESCRIPTION	NO. REQ.
1.	All	8333-1031	Mounting Frame & Bolt Pkg.	1
2.	All	8330-101	Duct Plate	1
3.	All	8330-3501	Duct Divider	1
4.	All	8330-380	Duct Plate Gasket	1
5.	All	7330-113	Junction Box	1
6.	All	7530A340	Plug Assembly	1
7.	All	7530B3201	Terminal Board	1
8.	All	7330C365	Isolator Blank	1
9.	All	7330B3311	P.C. Board	1
10.	All	7330A104	Junction Box Lid	1
11.	All	6798A3761	Filter	1
12.	All	6798-3041	Grille (Plastic)	1
ns	All	8330-5951	Small Parts Pkg.	1
13.	All	1460-5031	Limit Switch	1
14.	All	7332-3551	Heat Element	1
15.	All	7332-511	Heater Assembly Wiring Harness	1
16.	All	7332-4551	Heater Assembly	1
17.	All	7530A508	Junction Box Assembly Complete	1
ns	All	1200-500	Wing Screw	1
ns	All	1200-550	Wing Nut	2
18	All	7330A3231	Coil Sensor	1

SPECIAL ORDER ITEMS

Note: All parts with three digit suffix numbers are “Special Order” Parts. These parts are subject to factory availability and require extra time for delivery.

ns = not shown