



**REPAIR PARTS LIST**

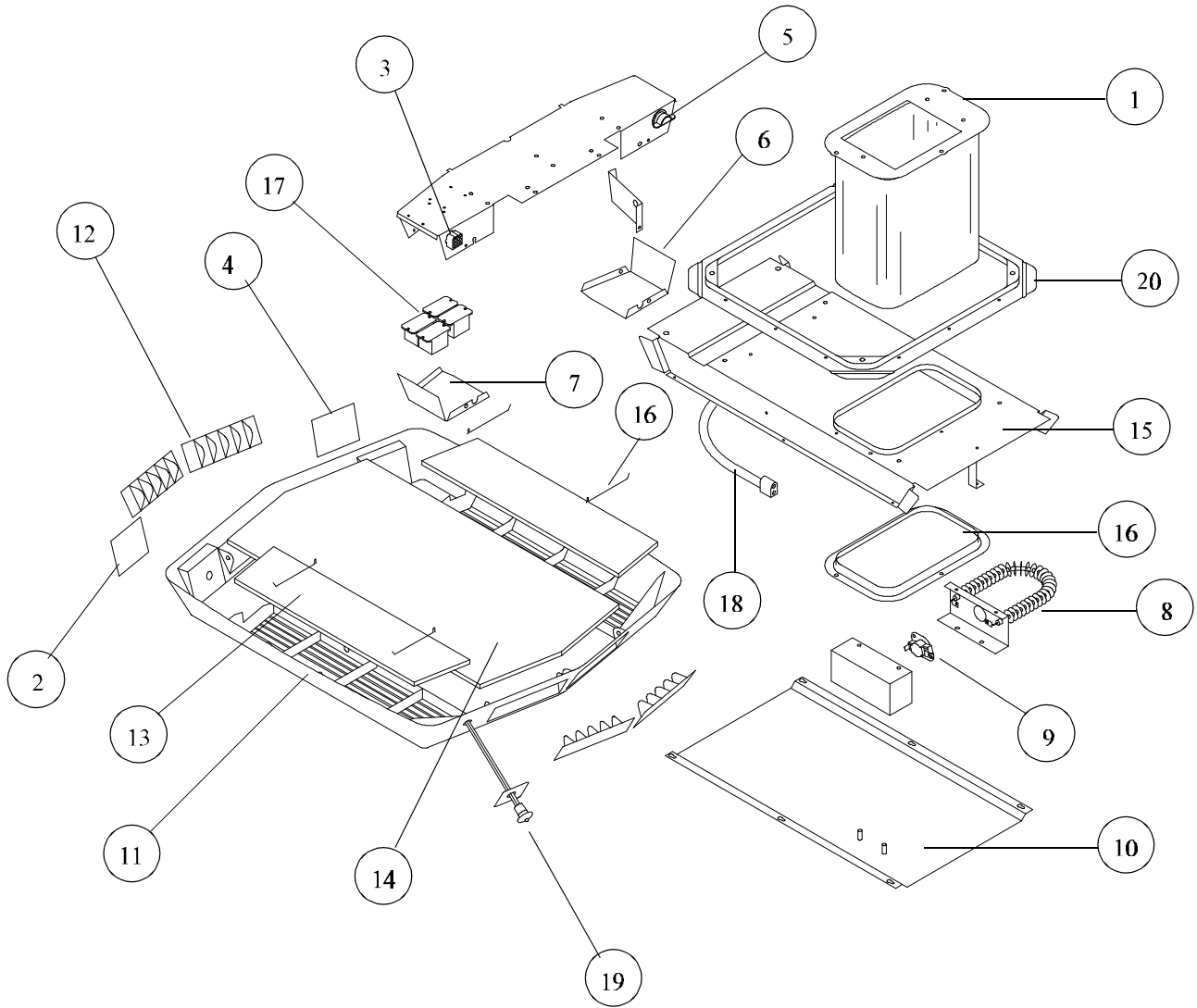
**FOR**

**8330-720 SERIES**

**CEILING ASSEMBLIES**

**RV Products**  
**A Division of Airxcel, Inc.**  
**P.O. Box 4020**  
**Wichita, KS 67204**

**8330-720  
SERIES**



**STANDARD CEILING ASSEMBLY MODEL NUMBER AND FEATURES**

8330-723 ..... Cool Only Remote  
 8330-7233 ..... Cool Only Remote Solar  
 8330-724 ..... Cool Only Remote (White)  
 8330-725, 726 ..... Heat/Cool Remote

CODE	MODEL USED ON	PART NUMBER	DESCRIPTION	NO. REQ.
1.	All	6792B4541	Fabric Duct Collar with Flange	1
2.	All	6799-3971	Decal (Left)	1
3.	723, 7233, 724	6792-548	Plug Connector (Plastic w/wires)	1
	725/726	7330-548	Plug Connector (Plastic w/wires)	1
4.	All	6799-3941	Decal (Right)	1
5.	All	1216-460	Connector (3/8 Romex)	1
6.	All	6792-153	Cover (Control Box - Right)	1
7.	All	6792-152	Cover (Control Box - Left)	1
8.	725/726	6798-3321	Heat Element (1600W, 120V AC)	1
9.	725/726	1460A5011	Limit Switch (Open 160 Degree, Closed 110 Degree)	1
10.	725/726	6792B156	Air Chute Bottom (w/out heat assembly)	1
11.	723/7233/725	6769-5051	Ceiling Shroud (White)	1
	724/726	6769B5061	Ceiling Shroud (Ivory)	1
12.	723/7233/725	6703-6191	Louver (White w/washer)	4
	724/726	6703A5191	Louver (Ivory w/washer)	4
ns	All	6703A3341	Washer (3/8 Dia. Nylon - 12/Pkg.)	2
13.	All	6703-3302	Filter (24/Pkg. - Precut)	2
	All	6703-3303	Filter (2/Pkg. - Precut)	2
ns	723/7233/724	8330-5981	Single Parts Pkg. (1/2 x 6 3/4 Bolts, And Wire Nuts)	1
	725/726	8330-5971	Single Parts Pkg. (1/4 x 6 3/4 Bolts, And Wire Nuts)	1
14.	All	6792B327	Insulation (Ceiling Shroud)	1
15.	All	8330-550	Air Chute Assembly	1
ns	All	6792-154	Duct Collar (Bottom Flange)	1
16.	All	6799-3141	Filter Retainer Clips (4/Pkg.)	4
17.	All	6799B3491	Relay	3 or 4
ns	All	6792C337	Air Chute Gasket	2
18.	725/726	7330A327	Wiring Harness w/Diode	1
19.	A7233	7330A3451	Solar Monitor Pkg.	1
20.	All	8333-1031	Mounting Frame & Bolt Pkg.	1

**SPECIAL ORDER ITEMS**

**Note:** All parts with three digit suffix numbers are “Special Order” Parts. These parts are subject to factory availability and require extra time for delivery.

ns = not shown