



# **REPAIR PARTS LIST FOR 8535 SERIES HEAT PUMP**

---

## **WARRANTY INFORMATION**

### **PARTS RETURN**

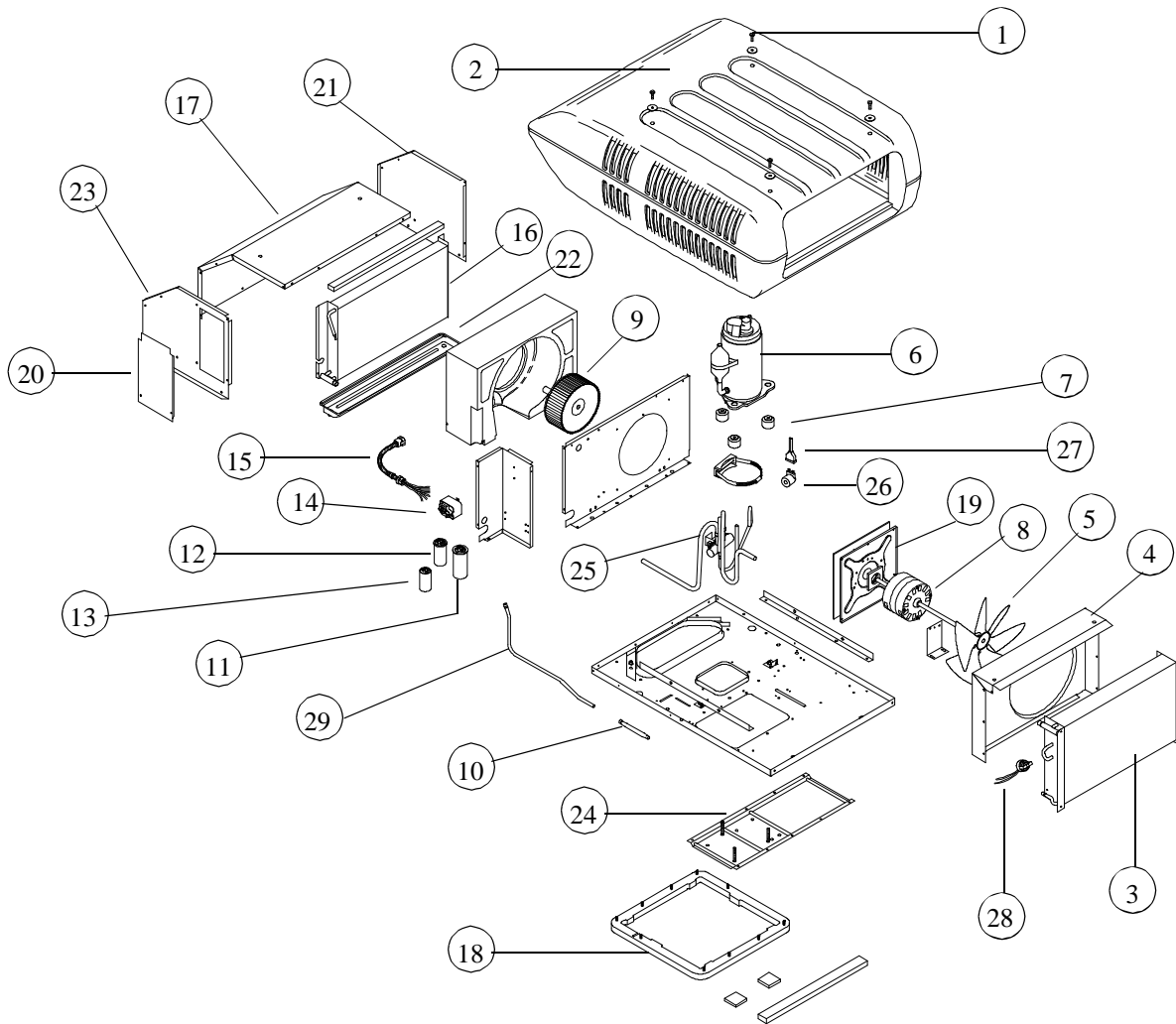
“Air Conditioning” in-warranty parts subject to return to RV Products must be sent prepaid to the following address. Always include your company’s claim or workorder along with RVP’s invoice generated from the shipment of the replacement part.

RV Products  
A Division of Airxcel, Inc.  
Attn: Warranty Return  
3050 N. St. Francis  
Wichita, KS 67219

### **WRITTEN CORRESPONDENCE**

All written correspondence (no parts) should be sent to the following address:

RV Products  
A Division of Airxcel, Inc.  
Dept. 546  
P.O. Box 4020  
Wichita, KS 67204



# 8535 SERIES



| CODE | USED ON MODELS | PART NUMBER | DESCRIPTION  | NO. REQ. |
|------|----------------|-------------|--|----------|
| 1.   | All            | 6792-5111   | Screw Nut & Washer (4 Pkg.)                            | 1        |
| 2.   | All            | 7333-4601   | Shroud (Arctic White/Arctic White)                     | 1        |
| 3.   | All            | 1452-1441   | Condenser Coil   | 1        |
| 4.   | All            | 7535-1071   | Fan Shroud   | 1        |
| 5.   | All            | 6733-3221   | Fan (4 Blade, 11 Dia., 40 Degree Pitch, .50 Dia. Bore) | 1        |
| 6.   | All            | 1450A2069   | Compressor (Tecumseh-RK225AT-026-A4)                   | 1        |
| 7.   | All            | 6759-3081   | Compressor Mounting Pkg. (3 Pkg.)                      | 1        |
| 8.   | All            | 1468-3069   | Motor (115V, 60 HZ)                                    | 1        |
| 9.   | All            | 1472-1091   | Impellor   | 1        |
| 10.  | All            | 1454-2501   | By-Flow Restrictor                                     | 1        |
| 11.  | All            | 1499-5721   | Run Capacitor (Comp-40 Mfd/370V)                       | 1        |
| 12.  | All            | 1499-5461   | Fan Capacitor (7.5 Mfd/370V)                           | 1        |
| 13.  | All            | 1497-0211   | Start Capacitor (21-25 Mfd/165V)                       | 1        |
| 14.  | All            | 1497-4131   | Start Relay  | 1        |
| 15.  | All            | 8535-375    | Conduit & Wiring Assembly                              | 1        |
| 16.  | All            | 1452-1521   | Evaporator Coil  | 1        |
| 17.  | All            | 8333A5061   | Evaporator Cover Assy. With Insulation                 | 1        |
| ns   | All            | 6759B3971   | Filler Pad - Condenser Air Seal                        | 1        |
| 18.  | All            | 8332-3301   | Gasket Pkg.  | 1        |
| 19.  | All            | 8333-5151   | Motor Mount & Shaft Seal Kit                           | 1        |
| 20.  | All            | 8333-109    | Wirebox Door   | 1        |
| 21.  | All            | 8333-505    | Side Panel Rt. With Insulation                         | 1        |
| 22.  | All            | 8333-150    | Drain Pan Assy.  | 1        |
| 23.  | All            | 8333-507    | Side Panel Lt. With Insulation                         | 1        |
| 24.  | All            | 8333-516    | Spacer Plate Assy.                                     | 1        |
| 25.  | All            | 7535A5301   | Reversing Valve Assembly                               | 1        |
| 26.  | All            | 1460-1081   | Solenoid Coil  | 1        |
| 27.  | All            | 7535-109    | Solenoid Harness Assembly                              | 1        |
| 28.  | All            | 1460-2041   | Freeze Switch  | 1        |
| 29.  | All            | 7535-135    | Liquid Line  | 1        |
| ns   | All            | 8333-1551   | Shroud Bracket   | 1        |

**SPECIAL ORDER PARTS:**

**NOTE: All parts with three digit suffix numbers are "Special Order" Parts. These parts are subject to factory availability and require extra time for delivery.**