



REPAIR PARTS LIST FOR

6571 EXPORT

ONE TON ELEVATOR SERIES

WARRANTY INFORMATION

PARTS RETURN

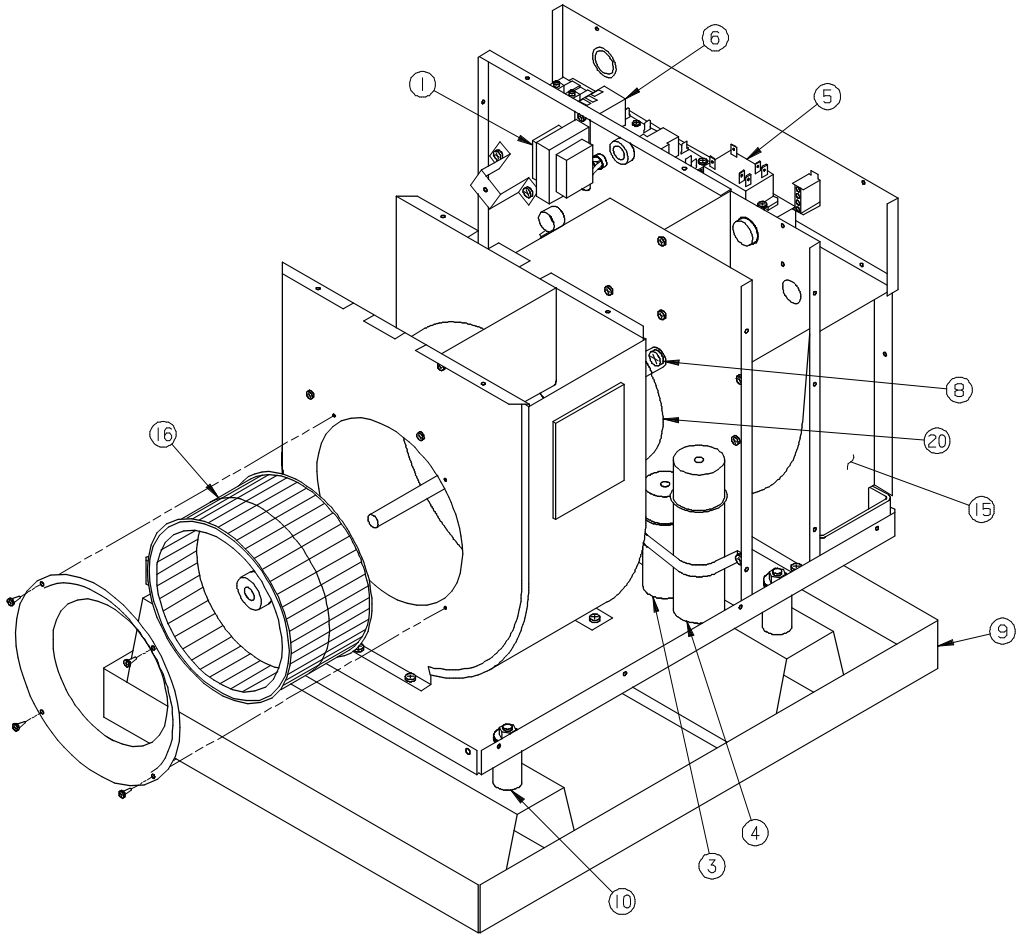
“Air Conditioning” in-warranty parts subject to return to RV Products must be sent prepaid to the following address. Always include your company’s claim or workorder along with the RV Products invoice generated from the shipment of the replacement part.

RV Products
A Division of Airxcel, Inc.
Attn: Warranty Return
3050 N. St. Francis
Wichita, KS 67219

WRITTEN CORRESPONDENCE

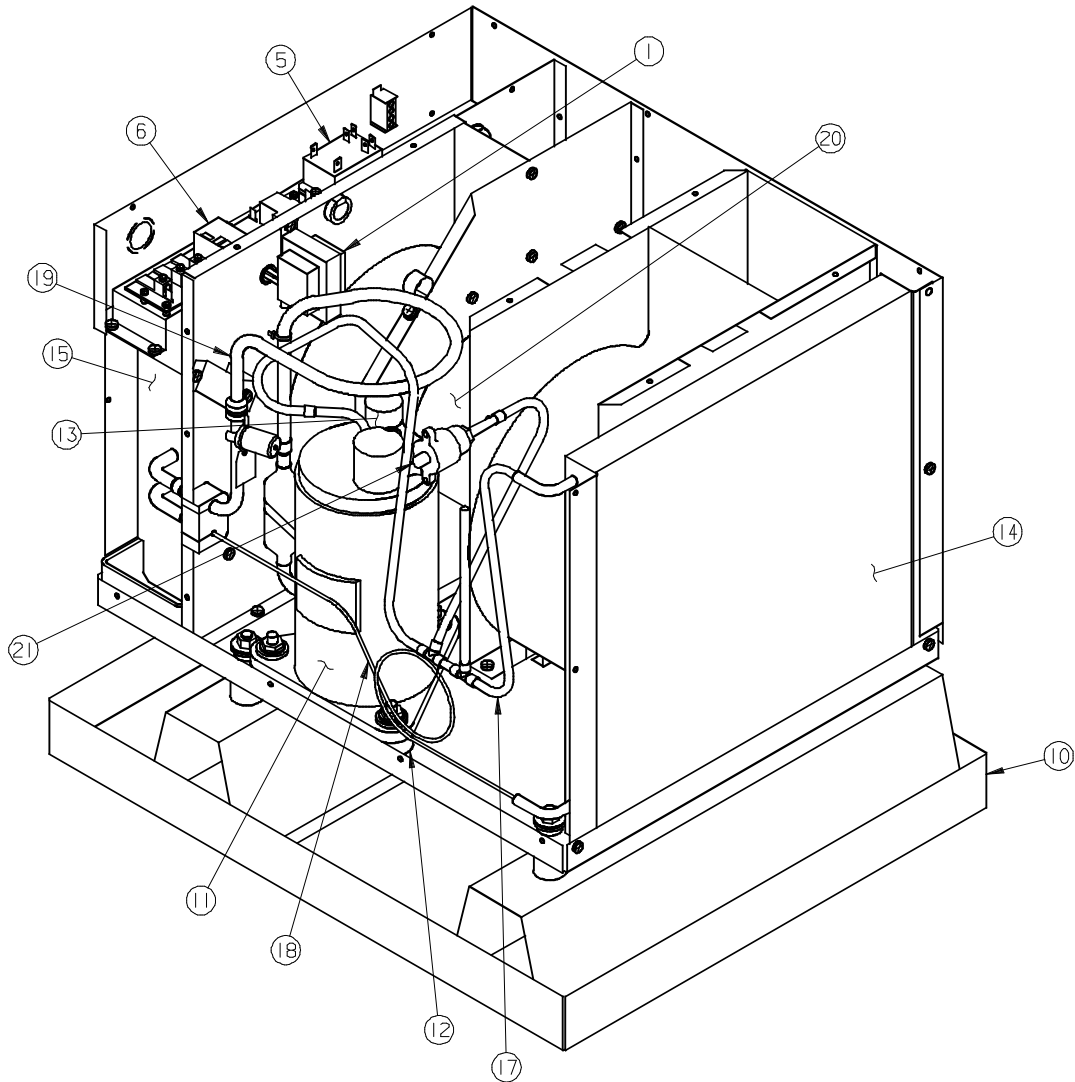
For written correspondence only, do not send parts to the following address:

RV Products
A Division of Airxcel, Inc.
Dept. 546
P.O. Box 4020
Wichita, KS 67204



6571
ELEVATOR UNIT

**6571
SERIES**



**6571
ELEVATOR UNIT**

6571 SERIES



CODE	MODEL USED ON	PART NUMBER	DESCRIPTION	NO. REQ.
1.	All	1460-3541	Transformer	1
2.	N/A	None	Start Relay	
3.	All	1499-5461	Fan Capacitor (7.5 Mfd/370V)	1
4.	All	1499-5621	Run Capacitor (15 Mfd/370V)	1
5.	All	1460-1141	Heater/Fan Relay	1
ns	All	7330-6111	Small Parts Pkg. (Includes Coil Sensor)	1
6.	All	7330C3221	P.C. Board (24 VAC)	1
7.	N/A	None	Start Capacitor	1
ns	All	6571-3551	Heat Element	1
ns	All	1460-5121	Heater & Discharge Air Limit Switch	1
ns	All	1460-2031	Freeze Switch	1
8.	All	6792A3361	Motor Mount & Shaft Seal Kit	1
9.	All	6531A510	Drain Pan Assembly Complete	1
10.	All	6531A114	Drain Pan Mount	1
11.	All	1450-2089	Compressor	1
12.	All	1450-9951	Compressor Mounting Pkg.	1
13.	All	1450-0041	Overload	1
14.	All	1452-0801	Condenser Coil	1
15.	All	1452A081	Evaporator Coil	1
16.	All	1472-1051	O.D. Blower Wheel	1
17.	All except "D" Models 6571D,E	6331-131	Discharge Line	1
		6571-507	Discharge Line	1
18.	All	6331-1331	Cap Tube (Formed)	1
19.	All except "D" Models 6571D,E	6331A130	Suction Line	1
		6571-506	Suction Line	1
ns	All	1472-1071	I.D. Blower Wheel	1
ns	All	1472-1061	I.D. Blower Wheel	1
20.	All	1468-3089	Motor	1
ns	All	6331-3211	High Voltage Terminal Board	1
ns	All	6331-5061	Heater Conversion Kit (New Low Watt Density Heater)	1
ns	All	6571-3251	Condensate Boiler Pkg.	1
ns	All	6331-328	Vibration Isolator (Suction Line)	1
ns	All	6531B625	Elevator Accessory Pkg. (Includes Return Air Bonnet, Thermostat, Etc.)	1
ns	All	8330A3241	Wall Thermostat	1
ns	All	1460A152	Pressure Switch	1

SPECIAL ORDER PARTS:

NOTE: All parts with three digit suffix numbers are "Special Order" Parts. These parts are subject to factory availability and require extra time for delivery.