



DATA INQUIRY SHEET

8632 SERIES

MACH I P.S.

Capacity (Nominal BTUH)	Cooling - Output BTU Heating - Output BTU	11,000 5,600
Electrical Rating	115 VAC, 60 HZ, 1 Phase	
Cooling Full Load AMP's at A.R.I. Standard Condition	Compressor Fan Motor Total	6.7 Low - 2.3 High - 2.9 9.0 9.6
Feature Equipment Amps	Heating (1)	15.6
Running Watts: (cooling) A.R.I. Standard Condition (80 F. DB/71 F. WB Indoor, 95 F. DB Outdoor)	1048	
Running Watts: (cooling) A.R.I. Maximum Condition (95 F. DB/71 F. WB Indoor 115 F. DB Outdoor)	1307	
Running Watts: (heating) (1)	1800	
Compressor Locked Rotor Amps	44.0	
Thermostat Temperature Range	Cooling - 61F. (±5) Heating (1) - 85 F. (±5)	
Metering Device	Capillary Tube	
Refrigerant Charge	14.75 oz.	
Evaporator Air Delivery (CFM)	320 CFM - High Speed	
Generator Size	See "Generators" Below	
Unit Weight (pounds) - Heat/Cool	89.5 lbs. (2)	
Use time delay fuse or circuit breaker (U.L. H.A.C.R. Type C.S.A.) Rated at 20 amps. Supply wires 12 AWG Min. (Copper)		

- (1) When equipped with Elect-A-Heat feature.
- (2) Ceiling assemblies may add an additional 3.5 to 12.5 lbs, depending on model number.

Ceiling Assemblies: Any 8330 and 9330 Series

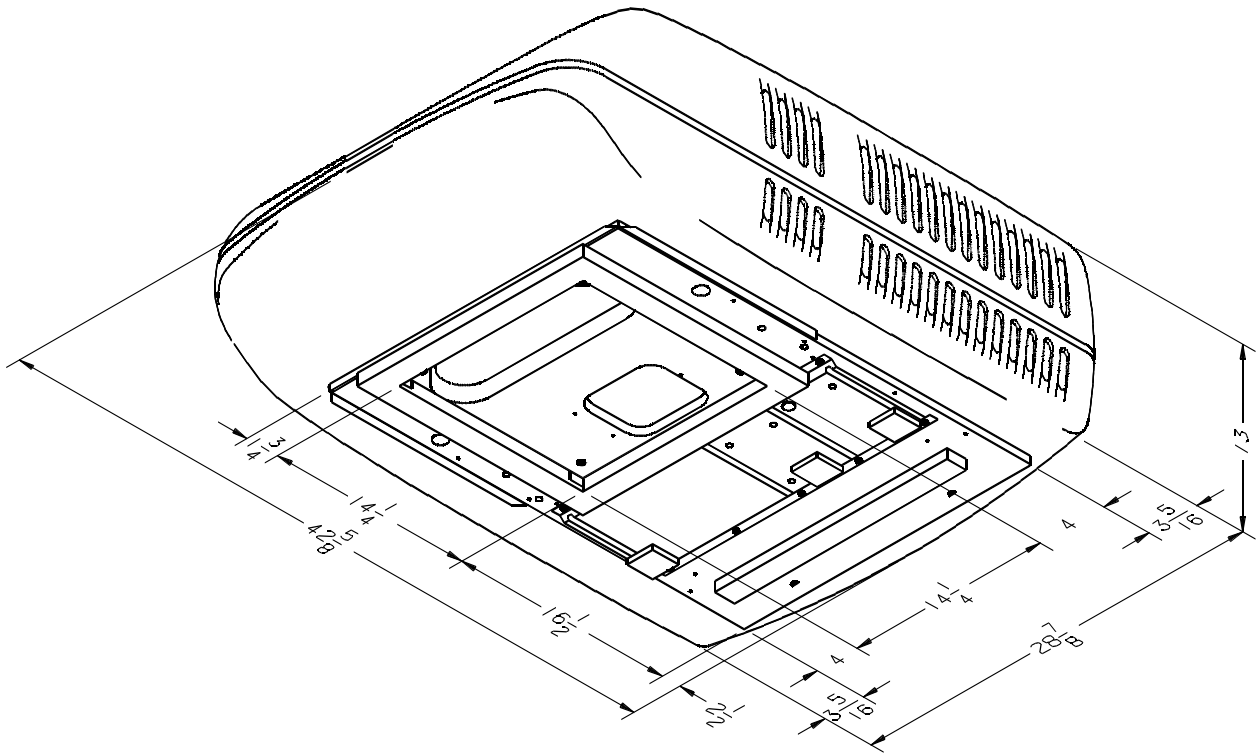
GENERATORS:

It is not the policy of RV Products to size generators for application in Recreation Vehicles or related structures. However, when sizing generators, the total electrical power consumption in Watts must be determined and taken into consideration, such as:

- A. Maximum running watts of the air conditioner at A.R.I. maximum operating conditions (See Specifications).
- B. Power consumption of electronic ovens, toasters, coffeemakers, television sets, refrigerators, lights, etc.
- C. Generators do lose capacity under the following conditions: (1) Altitude increases above sea level, (2) Temperature increases above certain outdoor design temperatures and (3) Lack of maintenance.

RV Products
A Division of Airxcel, Inc.
P.O. Box 4020
Wichita, KS 67204

ROOF TOP UNIT DIMENSIONS



QUICK REFERENCE CHART

DIMENSIONS		
Exterior Shroud	Height	13 1/4"
	Width	29"
	Length	43"
Interior Shroud	Depth	2.1"
	Width	19.9"
	Length	20.1"

CEILING SHROUD DIMENSIONS

