



DATA INQUIRY SHEET

6536 SERIES

TWO TON PACKAGED HEAT PUMP

Specifications By Model Number	Stage 1 & 2	Stage 1 Only
Electrical Rating	115 VAC, 60 HZ, 1 Phase	
Cooling Full Load AMP's at A.R.I. Standard Condition	Compressor - System 1 & 2 - 11.2 each Fan Motor - Outdoor Hi - 3.7 Fan Motor - Indoor Blower Hi - 2.4 Total - 28.5	System 1 - 10.5 Fan Motor - Outdoor Lo - 2.8 Fan Motor - Indoor Blower Lo - 2.4 Total - 15.7
Running Watts: (Cooling) A.R.I. Standard Condition (80 F. DB/67 F. WB Indoor, 95 F. DB Outdoor at 103.5 VAC)	3100	1750
Running Watts: (Heating) A.R.I. Standard Condition (70 F. Indoor, 47 F. DB/43 F. WB Outdoor at 115 VAC)	2550	1500
Compressor Locked Rotor Amps	67.0	
Compressor Ohm Ratings (approx). C = Common, S = Start, R = Run	(C-S) 4.01 (C-R) .55	
Electronic Thermostat Set Temperature Range	40 F. To 90 F.	
Metering Device	Biflow Restrictor	
Refrigerant Charge	17.5 oz. each system	17.5 oz.
Evaporator Air Delivery (CFM)	600 @ .4 External Static	
Installed Weight (pounds)	200	

RV Products
A Division of Airxcel, Inc.
P.O. Box 4020
Wichita, KS 67204

WIRING DIAGRAMS

Diagram 1976F119
Electronic Wall Thermostat Assembly (12 VDC)

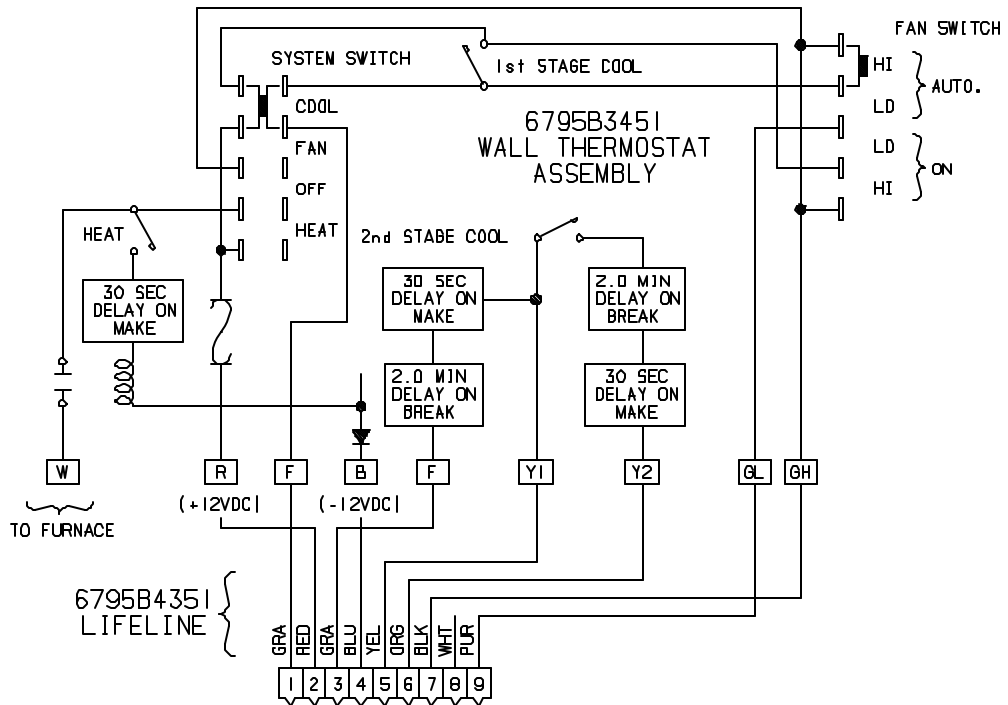
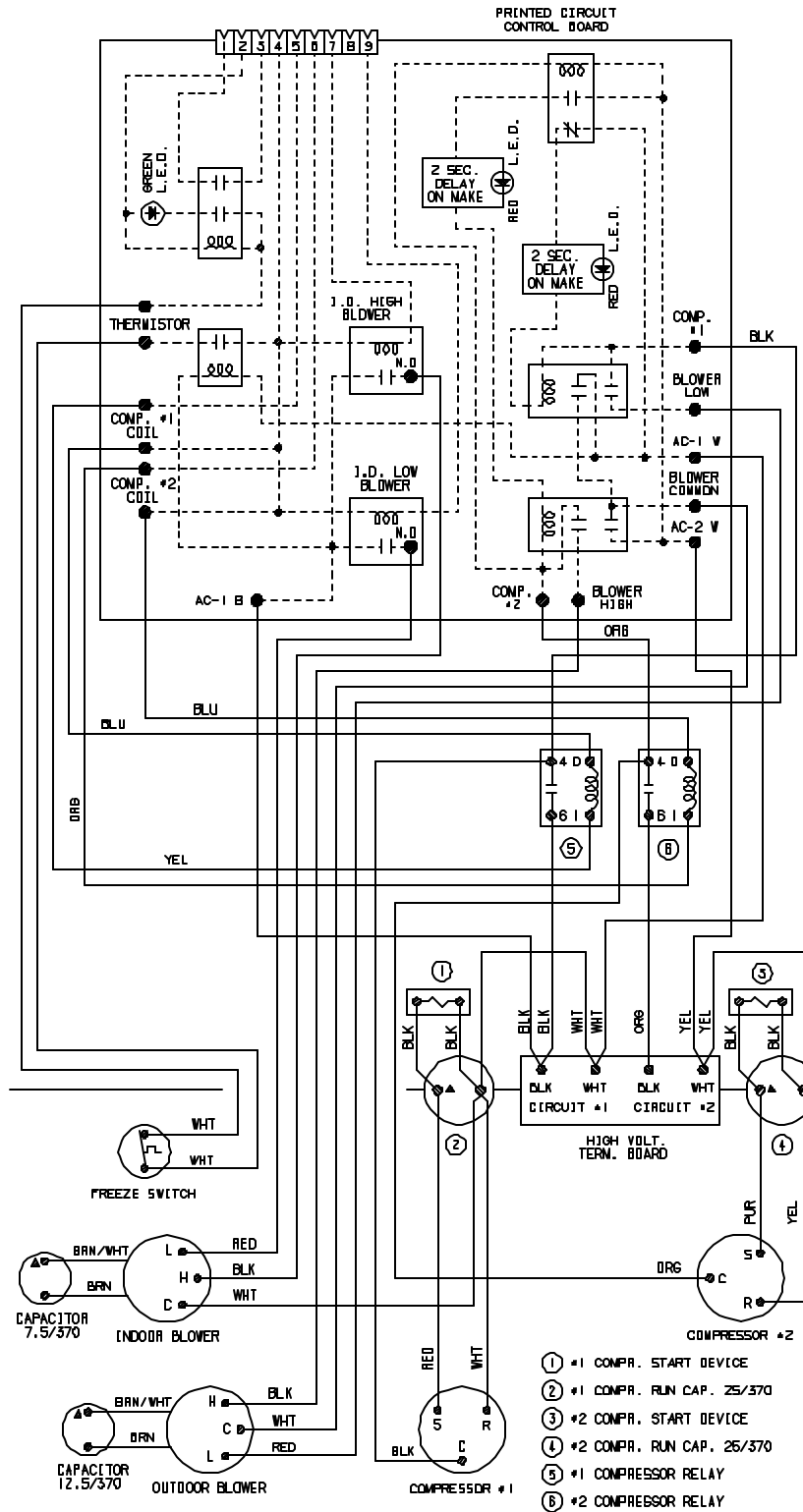


Diagram 1976F119

6536 Series Two Ton Packaged A/C



▲ IDENTIFIED TERMINAL

NOTE: HIGH VOLT. WIRING (115 V) SHOWN BOLD
 LOW VOLT. WIRING (12 V) SHOWN FINE
 P.C. BOARD CIRCUIT SHOWN DASHED

- ① #1 COMPR. START DEVICE
- ② #1 COMPR. RUN CAP. 25/370
- ③ #2 COMPR. START DEVICE
- ④ #2 COMPR. RUN CAP. 25/370
- ⑤ #1 COMPRESSOR RELAY
- ⑥ #2 COMPRESSOR RELAY

