



RV Products Division

**COLEMAN-MACH  
DATA INQUIRY SHEET  
482X7-8XX  
MACH 1 PS**

|   |   |                 |
|---|---|-----------------|
| Capacity (Nominal BTUH)   | Cooling/Heating<br>Heating (1)                        | 11,000<br>5,600 |
| Electrical Rating   | 115 VAC, 60 HZ, 1 Phase                               |                 |
| Cooling Full Load AMP's at A.R.I. Standard Condition  | Compressor<br>Fan Motor Low - 2.7 High - 2.9<br>Total | 7.0<br>9.3 9.9  |
| Feature Equipment Amps  | Heating (1)   | 15.6            |
| Running Watts (cooling) A.R.I. Standard Condition (80 F. DB 67 F. WB Indoor, 95 F. DB Outdoor)                            | 1080  |                 |
| Running Watts (cooling) Desert Condition (100 F. DB 72 F. WB Indoor, 120F. DB Outdoor)                                    | 1340  |                 |
| Running Watts (heating) (1)   | 1750  |                 |
| Compressor Locked Rotor Amps  | 45.6  |                 |
| Metering Device   | Capillary Tube  |                 |
| Refrigerant Charge - R-410A   | 16.50 oz.   |                 |
| Evaporator Air Delivery (CFM)   | 320 - High Speed                                      |                 |
| Generator Size  | See "Generators" Below                                |                 |
| Unit Weight (pounds)  | 83.5 lbs. (2)   |                 |
| Use time delay fuse or circuit breaker (U.L. H.A.C.R. Type C.S.A.) Rated at 20 amps.<br>Supply wires 12 AWG Min. (Copper) |   |                 |

- (1) When equipped with Elect-A-Heat feature.
- (2) Ceiling assemblies may add an additional 3.5 to 12.5 lbs. depending on the model number.

**CEILING ASSEMBLY:** Any 8330 or 9330 Series

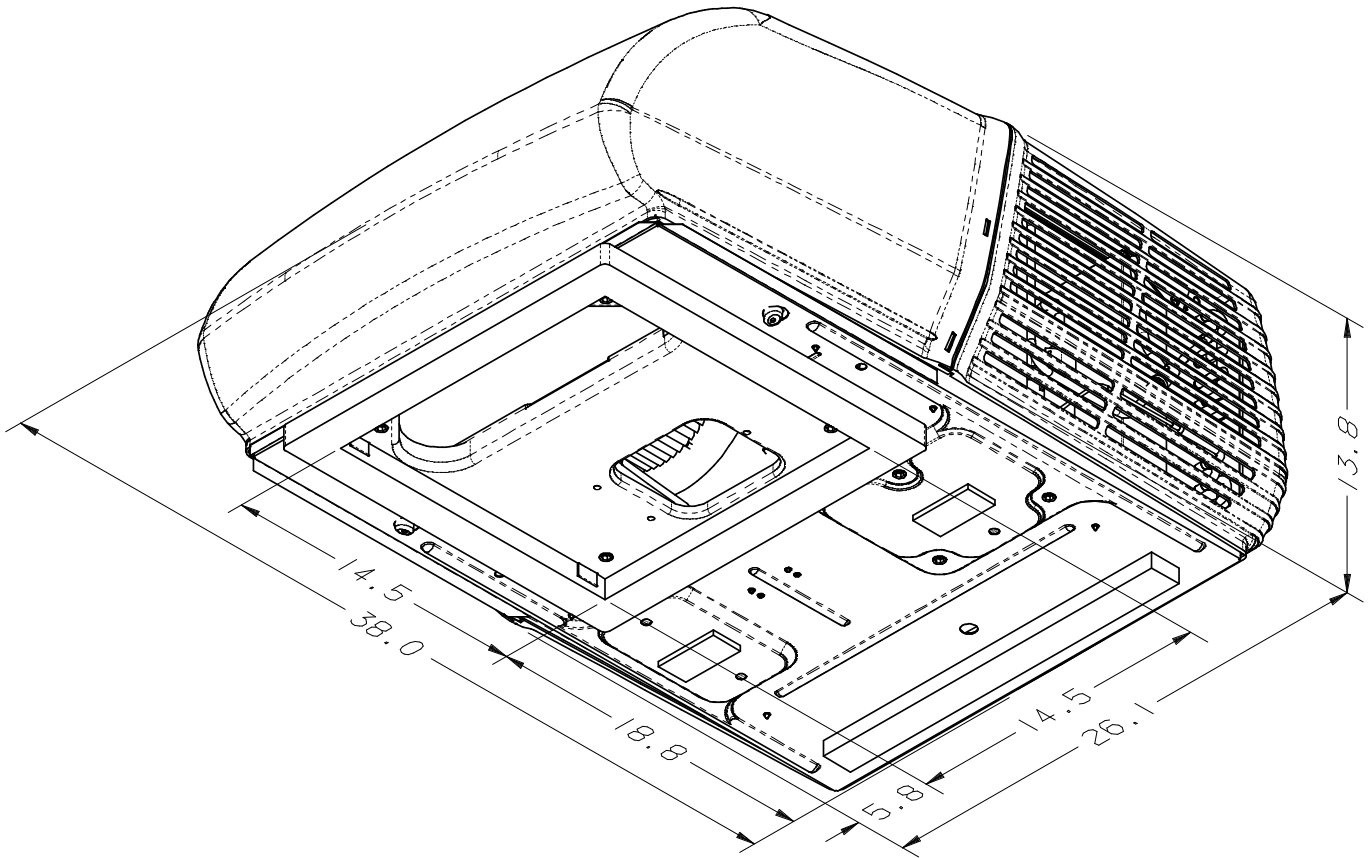
**GENERATORS:**

It is not the policy of Airxcel, Inc. to size generators for application in Recreation Vehicles or related structures. However, when sizing generators, the total electrical power consumption in Watts must be determined and taken into consideration, such as:

- A. Maximum running watts of the air conditioner at Airxcel, Inc. Desert Test (See Specifications).
- B. Power consumption of electronic ovens, toasters, coffeemakers, television sets, refrigerators, lights, etc.
- C. Generators do lose capacity under the following conditions: (1) Altitude increases above sea level, (2) Temperature increases above certain outdoor design temperatures, and (3) Lack of maintenance.

**Airxcel Inc.  
RV Products Division  
P.O. Box 4020  
Wichita, KS 67204**

## ROOF TOP UNIT DIMENSIONS



### QUICK REFERENCE CHART

| DIMENSIONS      |             |
|-----------------|-------------|
| Exterior Shroud | Height 13.8 |
|                 | Width 26.1  |
|                 | Length 38.0 |
| Interior Shroud | Depth 2.2   |
|                 | Width 19.9  |
|                 | Length 20.1 |

### CEILING SHROUD DIMENSIONS

