



6727-4751

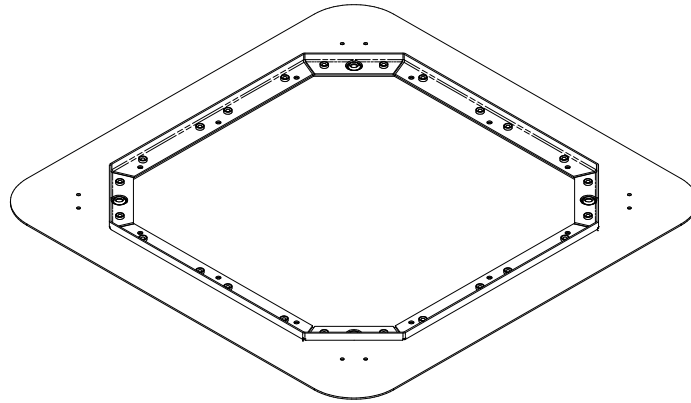
**CEILING ASSEMBLY
ADAPTER KIT**

Adapter to Convert Export Mini Mach to use 9000 Series Ceiling Assembly

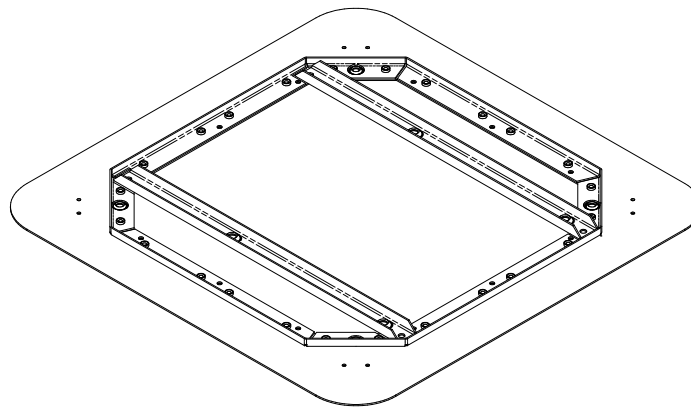
Airxcel, Inc.
RV Products Division
P.O. Box 4020
Wichita, KS 67204

The adapter kit includes:

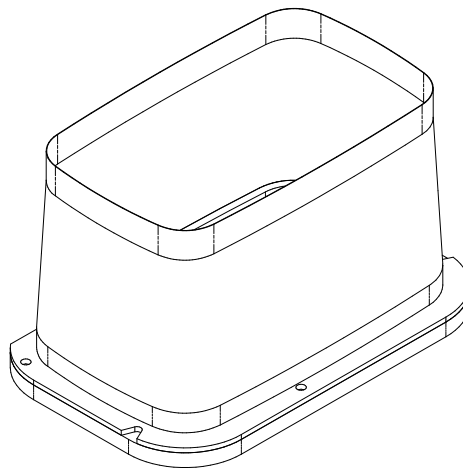
Adapter Plate – to be installed on roof.



Interior Adapter Plate – to be installed on ceiling.



Duct Flange Assembly – assembled to basepan of roof top unit. This assembly includes the plastic duct flange with duct seal and fabric chute.



Sheet Metal Screw (x3) – to assembly duct flange assembly to basepan

Machine Screws (x4) – to assemble interior adapter plate to roof top unit

**AFTER THE MOUNTING HOLE IS PROPERLY PREPARED FOR THE
ROOF TOP UNIT PER THE INSTALLATION INSTRUCTIONS
PROVIDED WITH THE ROOF TOP UNIT;**

Referencing Figure 1, continue installation procedure as follows:

1. Apply silicon sealant around the perimeter of adapter plate. Position the adapter plate on the roof to cover the 40 cm/16 inch opening in the roof which will convert it to a 35.5 cm/14 inch opening for the ceiling assembly. Allow time for the silicon to cure.

2. Carefully lift the unit to the top of the vehicle. **Do not use the outer plastic shroud for lifting.** Place the roof top unit over the 35.5 cm/14 inch square opening in the adapter plate. The pointed end (nose) of the shroud must face towards the front of the vehicle. Pull the electrical conduit down from the roof top unit through the mounting opening and let it hang into the coach.

SECURING THE ROOF TOP UNIT TO THE ROOF

1. Before the ceiling assembly can be mounted to the roof top unit, the duct flange assembly must be assembled to the basepan. Remove screw from basepan as indicated in Figure 1 and discard. Position the duct flange assembly such that the chute opening on the duct flange assembly corresponds with the opening in the basepan. Line up the centered clearance hole on the duct flange assembly with the pilot hole on the basepan. Assemble the duct flange assembly to the basepan using one of the sheet metal screws provided. Using the other two clearance holes on the duct flange as a guide, drill the two additional pilot holes (3mm diameter) in the basepan for the sheet metal screws. Install the two sheet metal screws to finish securing the duct flange assembly to the basepan.

2. Place the indoor adapter plate against the ceiling, lining up the countersunk holes in the channels with the weld nuts in the roof top unit. Secure the indoor adapter plate to the roof top unit using the 5/16-18 x 6 inch machine screws (provided) into the countersunk holes which will thread into the weld nuts on the roof top unit, compressing the gasket as the screws are tightened.

The mounting screws must be started (threaded) by hand to avoid cross-threading. **DO NOT START THE MOUNTING SCREWS WITH AN AIR GUN.** Mounting screws should be tightened evenly. Do not initially over-tighten each screw. The screw tightening is complete when the roof top unit basepan gasket has been evenly compressed 50%.

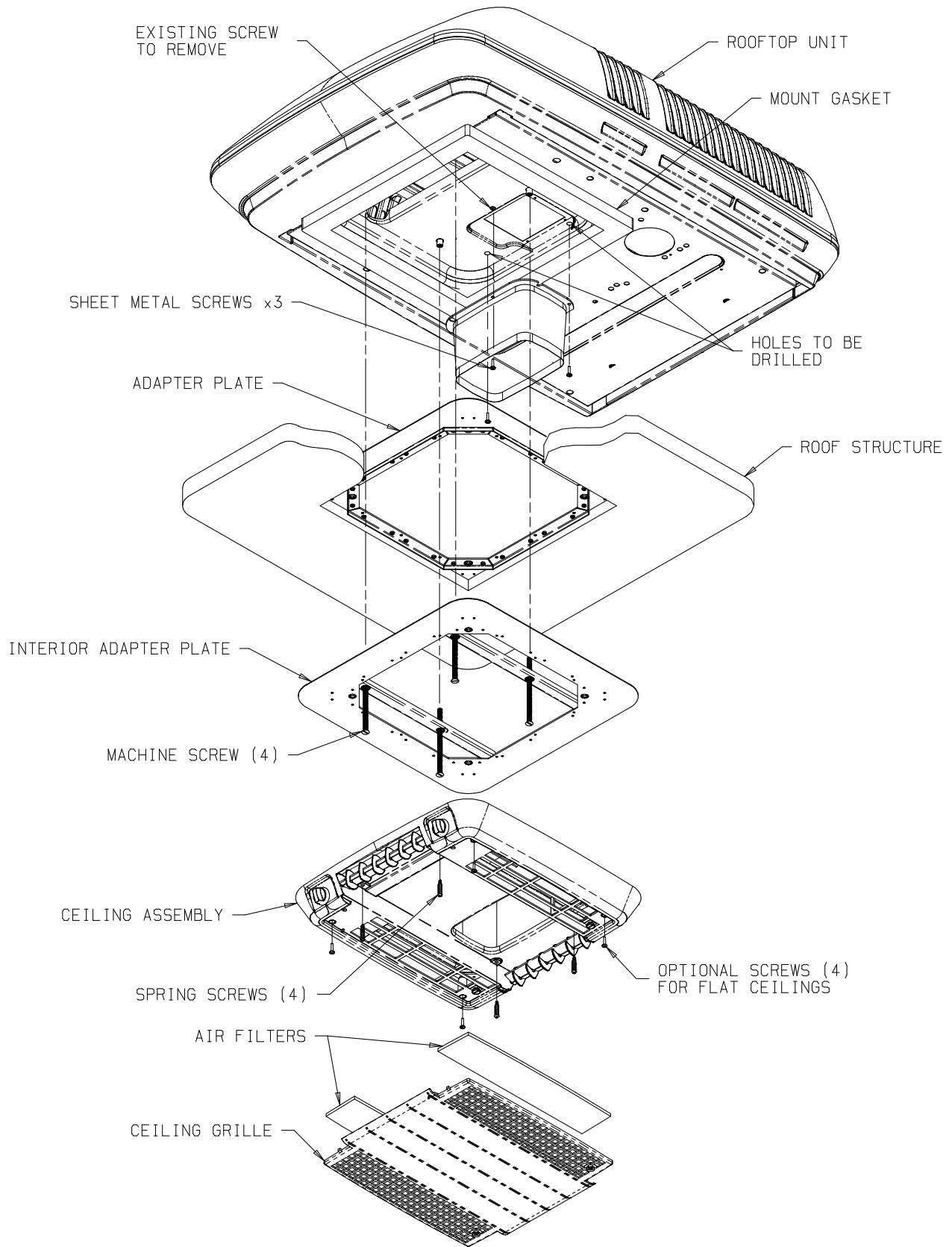


FIGURE 1

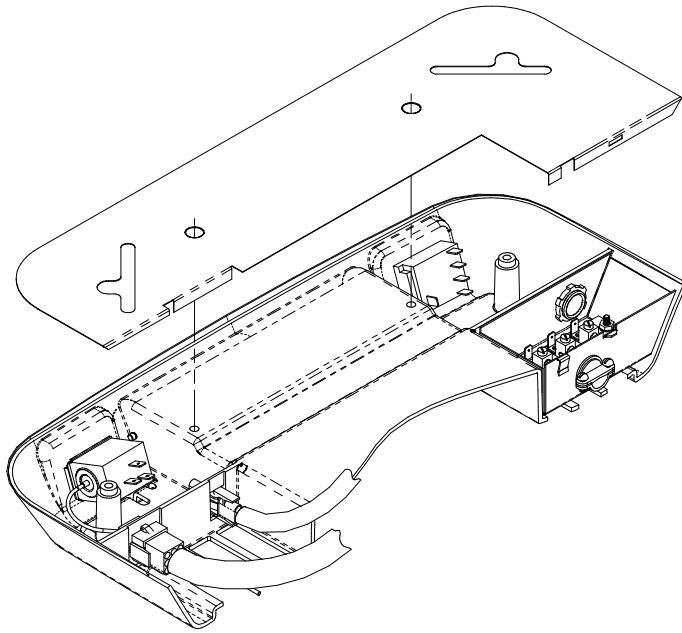


FIGURE 2

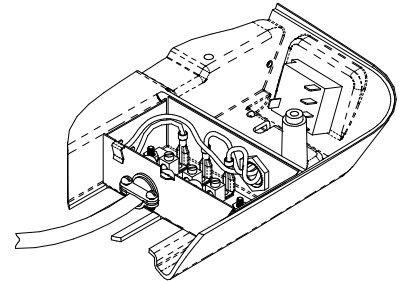


FIGURE 3

INSTALLING THE 9000 SERIES CEILING ASSEMBLY

1. Carefully unpack the ceiling assembly. Controls are factory installed in the ceiling assembly. The air duct assembly and mounting frame in the ceiling assembly package will not be needed for this application.
2. Remove the grille and filters from the ceiling assembly.
3. Plug the roof top unit electrical conduit into the 9 position receptacle located in the thermostat side of the ceiling assembly.
4. Insert the supply wiring through the cable clamp and into the field wiring box so that 4-6" of supply conductor is inside the box. Secure the cable clamp over the supply wire sheath so that no movement is possible (See Figure 2).
5. Connect the supply power conductors to the "A" and "N" lugs on the terminal board. **IMPORTANT** – If power is from one "Hot" and one "Neutral" conductor, connect the neutral to "N". Connect the ground wire to the "E" lug on the terminal board (See Figure 3).
6. Place the metal control box shield over the thermostat, switch and field wiring boxes. Make certain that all wires are pushed into the control boxes or laying in the wireway between the thermostat and switch boxes and will not be pinched by the control box shield. Control box shield is properly installed when the two holes in the shield are aligned with the two screw holes in the ceiling assembly chute (See Figure 3).
7. Raise the ceiling assembly and secure to the mounting frame with 4 provided shoulder screw/spring assemblies. The front two screws should pass through the clearance holes in the metal control box shield (See Figure 1).
8. The ceiling assembly shroud is curved to contour to a crowned ceiling. If installation is to a flat ceiling and gaps are present on the sides of the shroud, insert the four optional 3/4 inch screws (provided) through the mounting posts and secure them to the mounting frame above.
9. Pull the fabric duct material through ceiling assembly discharge opening. Peel the release liner from the adhesive strip around the discharge opening. Press the fabric duct material firmly in place around opening. Cut off excess fabric on inside of ceiling assembly chute with a box knife taking care not to tear the fabric beyond the adhesive strip.

COMPLETING THE INSTALLATION

1. Make sure the non-allergenic filters are properly positioned in the ceiling grille.
2. Install the ceiling grille by positioning on the bottom of the shroud and engaging the two 1/4 turn fasteners.
3. Turn the selector switch to OFF position.
4. Turn ON the power supply to the roof top unit.
5. Follow the “System Operation and Checkout” guide in the thermostat installation instructions to insure proper operation.