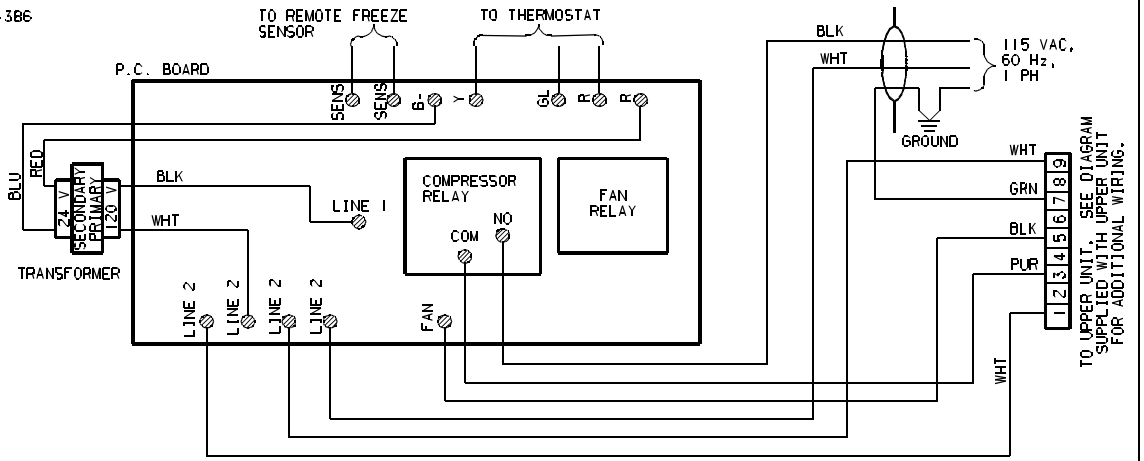


1976-386



TO UPPER UNIT, SEE DIAGRAM  
SUPPLIED WITH UPPER UNIT  
FOR ADDITIONAL WIRING.