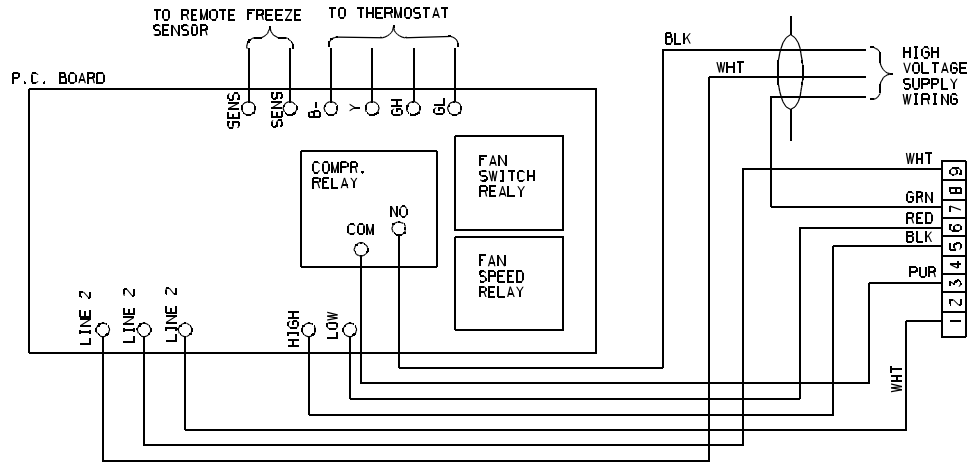


1976-3B3



TO UPPER UNIT. SEE DIAGRAM
SUPPLIED WITH UPPER UNIT
FOR ADDITIONAL WIRING.