



**C H I L L G R I L L E**

**COLEMAN®-MACH® AIR CONDITIONERS**

**INSTALLATION AND OPERATING INSTRUCTIONS**

**CHILLGRILLE™  
DIRECT AIRFLOW REPLACEMENT  
CEILING ASSEMBLY  
PART NUMBER 8330-6331**

**FOR 8000 SERIES AIR CONDITIONERS**

**DESIGNED AND MANUFACTURED BY THE MAKERS OF  
COLEMAN®-MACH® AIR CONDITIONERS**



# TABLE OF CONTENTS

I.	Warnings .....	2
II.	Package Contents .....	2
III.	General Information .....	3
IV.	How To Install .....	3
V.	Operating Instructions .....	4

## I. WARNINGS

The Coleman®-Mach® Chillgrille™ ceiling assembly allows you to divert the cold air supply from the internal duct system of your RV directly into the living space through the use of the specially designed DirectFlow louver system. The Chillgrille™ also offers you the exclusive EZReach filter system that provides quick access to the included washable air filter. The Chillgrille™ is designed with the do-it-yourself RV owner in mind.

While the Coleman®-Mach® Chillgrille™ can be installed very easily, certain precautions and procedures must be followed in order to ensure the safety of the installer and the integrity of the product. **PERSONS WHO FEEL THEY ARE NOT QUALIFIED TO INSTALL THIS PRODUCT SHOULD CONTACT A RV SERVICE PROFESSIONAL.**

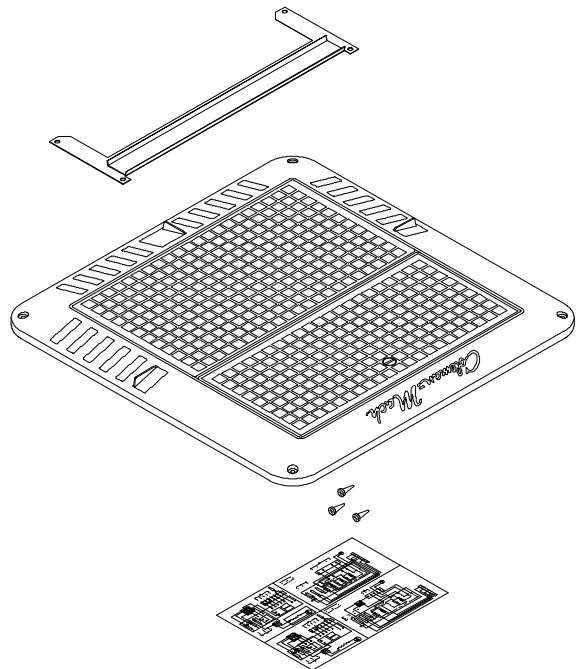
### WARNING - ELECTRICAL SHOCK HAZARD

To prevent the possibility of personal injury or damage to your equipment due to high voltage electrical shock, always be certain to disconnect electrical power to the air conditioner prior to any installation or service process. This can normally be accomplished by switching the breaker for the air conditioner to "OFF", disconnecting all external electrical connections and cords, switching "on-board" electrical generators to "OFF" and removing the cable from each positive terminal on all storage and starting batteries. Should you need assistance in disconnecting the power, consult your service professional.

Carefully follow all instructions and all warnings in these instructions to avoid personal injury and/or equipment damage.

## II. PACKAGE CONTENTS

1. Insulated Duct Locator Plate
2. Chillgrille™ Interior Grille
3. (3) Sheet Metal Screws
4. Wiring Diagram Sheet
5. Installation Instructions



## III. GENERAL INFORMATION

The Coleman®-Mach® Chillgrille™ ceiling assembly allows you to divert the cold air supply from the internal duct system of your RV directly into the living space through the use of the specially designed DirectFlow louver system. The Chillgrille™ also offers you the exclusive EZReach filter system that provides quick access to the included washable air filter. The Chillgrille™ is designed with the do-it-yourself RV owner in mind.

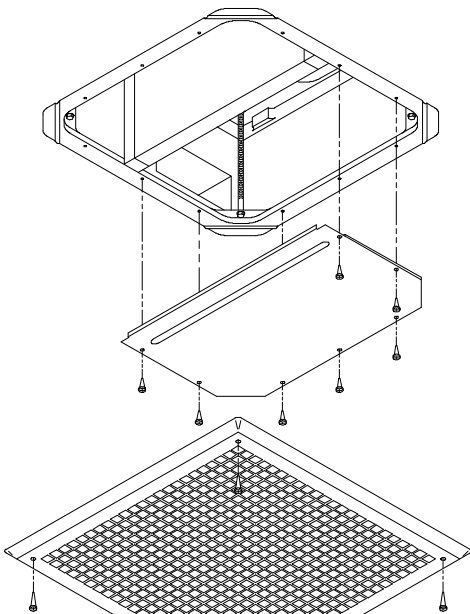
The Chillgrille™ replacement ceiling assembly retrofit kit, part #8330-6331, is intended to fit existing lateral ducted Coleman®-Mach® 8000 series air conditioners.

## IV. HOW TO INSTALL

### WARNING - ELECTRICAL SHOCK HAZARD

To prevent the possibility of severe personal injury or equipment damage due to electrical shock, always be sure the electrical power to the air conditioner is disconnected during the installation of the Chillgrille™. It will not be necessary during this installation to disconnect any electrical wiring nor gain access inside the electrical connection wire box.

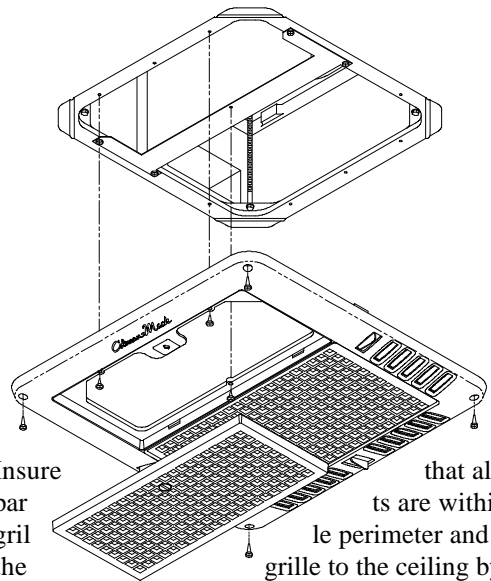
1. After determining all AC and DC electric current to the air conditioner is disconnected, begin the installation process by removing the four screws that secure the plastic return air grille to the ceiling assembly of your vehicle. Be sure to retain the four screws you remove from the grille.
2. Remove the sheet metal screws from the block-off plate as shown in the illustration. Retain the screws and discard the block-off plate.



3. Install the duct locator plate the fiber divider supplied insulated board is fitted into the

channel on the topside of the duct locator plate. Secure the duct locator plate with four of the retained screws.

4. Remove the air assembly interior filter from the plastic Chillgrille™ by rotating the black fastener one-quarter turn. Attach the Chillgrille™ to the frame assembly with the supplied three sheet metal screws as shown. Tighten the three screws individually to affect a flush fit between the plastic grille and ceiling.



5. Insure par gril the the that all foam ts are within the le perimeter and secure grille to the ceiling by

utilizing the four screws that were removed from the original interior ceiling grille.

6. Replace the air filter assembly by inserting the tabs into the slots in the grille and rotate the black lock one-quarter turn. If you experience difficulty in

getting the air filter assembly to lock in place, remove the two screws in the front of the grille as illustrated above.

7. Make sure all louvers are operating correctly.
8. Turn on electric power to the air conditioner.

The installation is complete.

## V. OPERATING INSTRUCTIONS

Once the Chillgrille™ is installed, simply open or close the three louvers contained within the perimeter of the grille to achieve the desired level of airflow through the grille. Opening the louvers will place a great deal of conditioned air into the living space below and adjacent to the Chillgrille™. Closing the louvers will allow the conditioned air to flow completely through the ceiling duct system.

As with all air conditioning systems, we recommend you check and clean the washable filter once a month. If you utilize your RV in dusty conditions, check the filter more often.

Thank you for purchasing the Coleman®-Mach® Chillgrille™. It is built with the same care and quality you have come to expect from the entire family of Coleman®-Mach® air conditioners and other products designed and manufactured by RV Products, a division of Airxcel, Inc.

**RV Products**  
**A Division of Airxcel, Inc.**  
**P.O. Box 4020**  
**Wichita, KS 67204**

**Web:** [www.rvcomfort.com](http://www.rvcomfort.com)  
**Support:** [www.rvsupport@airxcel.com](mailto:www.rvsupport@airxcel.com)  
**Sales:** [www.rvpsales@airxcel.com](mailto:www.rvpsales@airxcel.com)