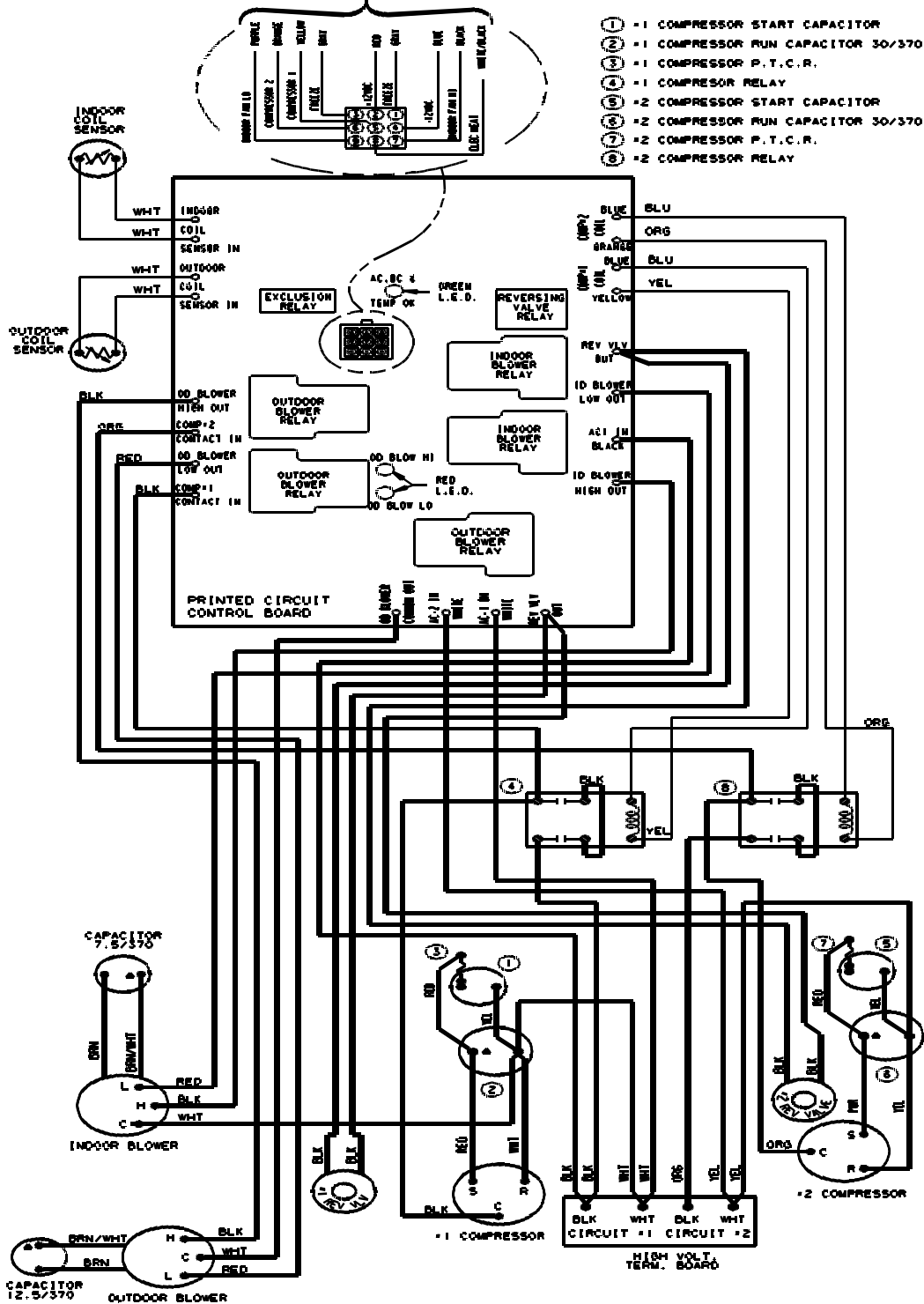


FROM 2-STAGE WALL THERMOSTAT ASSEMBLY



- ① = 1 COMPRESSOR START CAPACITOR
- ② = 1 COMPRESSOR RUN CAPACITOR 30/370
- ③ = 1 COMPRESSOR P.T.C.R.
- ④ = 1 COMPRESSOR RELAY
- ⑤ = 2 COMPRESSOR START CAPACITOR
- ⑥ = 2 COMPRESSOR RUN CAPACITOR 30/370
- ⑦ = 2 COMPRESSOR P.T.C.R.
- ⑧ = 2 COMPRESSOR RELAY

• IDENTIFIED TERMINAL

NOTE: HIGH VOLT. WIRING (115 V) SHOWN BOLD
LOW VOLT. WIRING (12 V) SHOWN FINE