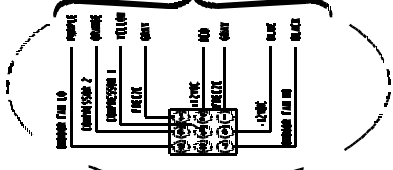
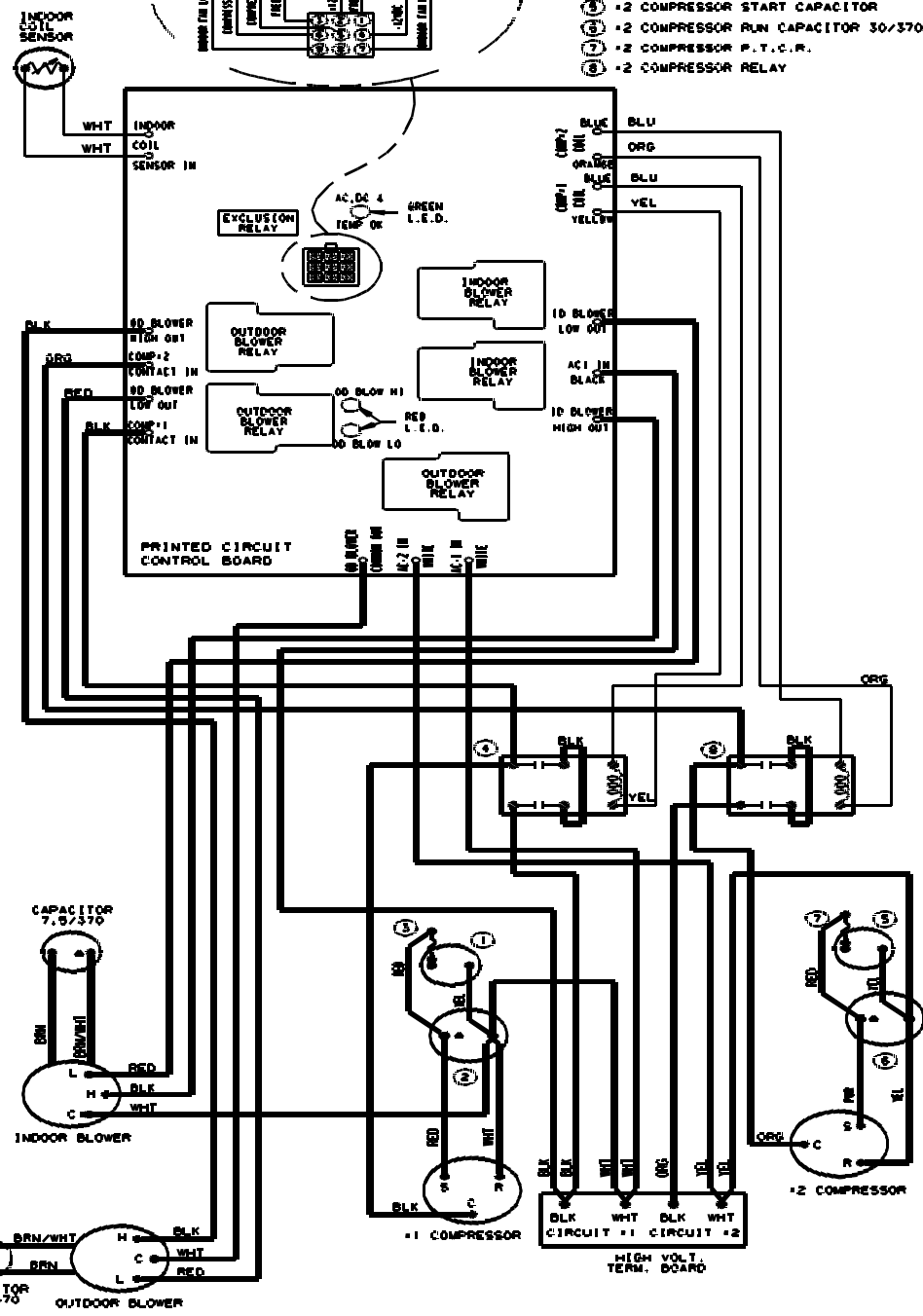


# FROM 2-STAGE WALL THERMOSTAT ASSEMBLY



- ① - 1 COMPRESSOR START CAPACITOR
- ② - 1 COMPRESSOR RUN CAPACITOR 30/370
- ③ - 1 COMPRESSOR P.T.C.R.
- ④ - 1 COMPRESSOR RELAY
- ⑤ - 2 COMPRESSOR START CAPACITOR
- ⑥ - 2 COMPRESSOR RUN CAPACITOR 30/370
- ⑦ - 2 COMPRESSOR P.T.C.R.
- ⑧ - 2 COMPRESSOR RELAY



▲ IDENTIFIED TERMINAL  
1976J119

NOTE: HIGH VOLT. WIRING (115 V.) SHOWN BOLD  
LOW VOLT. WIRING (12 V.) SHOWN FINE

